

# **GA - 586MS**

## **PCI - ISA SOLUTION**

- \* Support Win95 Soft-Power off.
- \* Support Modem Ring On by Com2.  
If ATX-Power is using.

If Cyrix CPU is Using, make sure CPU Date-Code After 6620.

**PENTIUMä PCI - ISA BUS MAINBOARD**

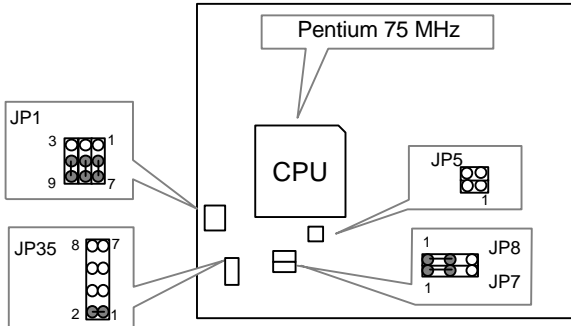
**REV.1.0 Second Edition**

**I. Quick Installation Guide:**

586 CPU	JP5		JP8	JP7	JP1			JP35
1. Intel Pentium 75 MHz	OFF		1-2	1-2	4-7	5-8	6-9	1-2
2. Intel Pentium 90 MHz	OFF		1-2	2-3	4-7	5-8	6-9	1-2
3. Intel Pentium 100 MHz	OFF		2-3	1-2	4-7	5-8	6-9	1-2
4. Intel Pentium 120 MHz	3-4		1-2	2-3	4-7	5-8	6-9	1-2
5. Intel Pentium 133 MHz	3-4		2-3	1-2	4-7	5-8	6-9	1-2
6. Intel Pentium 150 MHz	1-2	3-4	1-2	2-3	4-7	5-8	6-9	1-2
7. Intel Pentium 166 MHz	1-2	3-4	2-3	1-2	4-7	5-8	6-9	1-2
8. Intel Pentium 180 MHz	1-2		1-2	2-3	4-7	5-8	6-9	1-2
9. Intel Pentium 200 MHz	1-2		2-3	1-2	4-7	5-8	6-9	1-2
10. P54CT-125 MHz	1-2	3-4	1-2	1-2	4-7	5-8	6-9	1-2
11. P54CT-150 MHz	1-2	3-4	1-2	2-3	4-7	5-8	6-9	1-2
12. P54CT-166 MHz	1-2	3-4	2-3	1-2	4-7	5-8	6-9	1-2
13. Intel P55C-150 MHz	1-2	3-4	1-2	2-3	1-4	2-5	3-6	1-2
14. Intel P55C-166 MHz	1-2	3-4	2-3	1-2	1-4	2-5	3-6	1-2
15. Intel P55C-200 MHz	1-2		2-3	1-2	1-4	2-5	3-6	1-2
16. P54CTB 150 MHz	1-2	3-4	1-2	2-3	4-7	5-8	6-9	1-2
17. P54CTB-166 MHz	1-2	3-4	2-3	1-2	4-7	5-8	6-9	1-2
18. P54CTB-180 MHz	1-2		1-2	2-3	4-7	5-8	6-9	1-2
19. P54CTB-200 MHz	1-2		2-3	1-2	4-7	5-8	6-9	1-2
20. AMDK5- 75 MHz-P75	OFF		1-2	1-2	4-7	5-8	6-9	1-2
21. AMDK5- 90 MHz-P90	OFF		1-2	2-3	4-7	5-8	6-9	1-2
22. AMDK5-100 MHz-P100	OFF		2-3	1-2	4-7	5-8	6-9	1-2
23. Cyrix 6x86-100 MHz-P120+	3-4		1-2	1-2	4-7	5-8	6-9	1-2
24. Cyrix 6x86-110 MHz-P133+	3-4		2-3	2-3	4-7	5-8	6-9	1-2
25. Cyrix 6x86-120 MHz-P150+	3-4		1-2	2-3	4-7	5-8	6-9	1-2
26. Cyrix 6x86-133 MHz-P166+	3-4		2-3	1-2	4-7	5-8	6-9	1-2

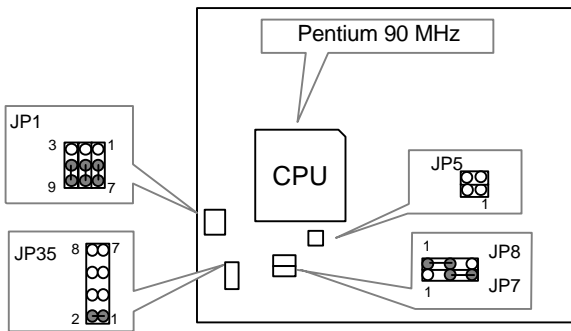
1. Intel Pentium 75 MHz

JP5	JP8	JP7	JP1			JP35
OFF	1-2	1-2	4-7	5-8	6-9	1-2



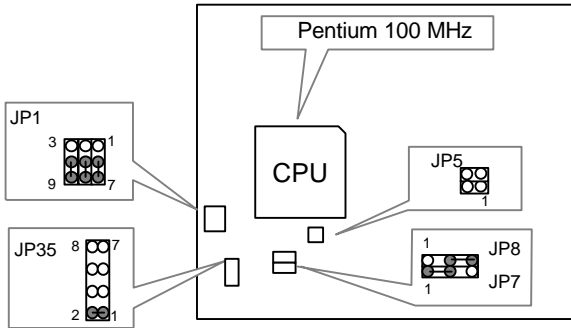
2. Intel Pentium 90 MHz

JP5	JP8	JP7	JP1			JP35
OFF	1-2	2-3	4-7	5-8	6-9	1-2



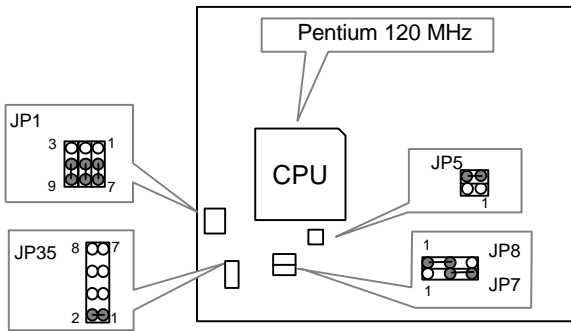
3. Intel Pentium 100 MHz

JP5	JP8	JP7	JP1			JP35
OFF	2-3	1-2	4-7	5-8	6-9	1-2



4. Intel Pentium 120 MHz

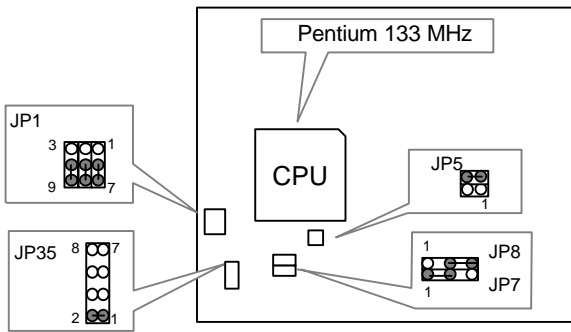
JP5	JP8	JP7	JP1			JP35
3-4	1-2	2-3	4-7	5-8	6-9	1-2



5. Intel Pentium 133 MHz

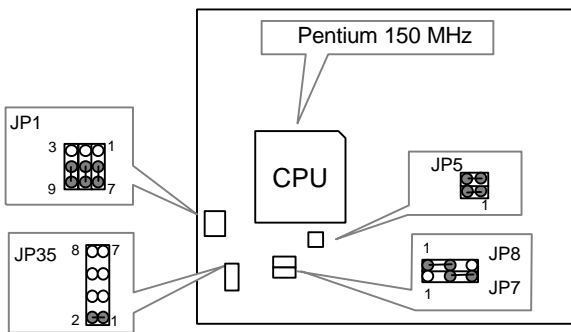
JP5	JP8	JP7	JP1			JP35

3-4	2-3	1-2	4-7	5-8	6-9	1-2
-----	-----	-----	-----	-----	-----	-----



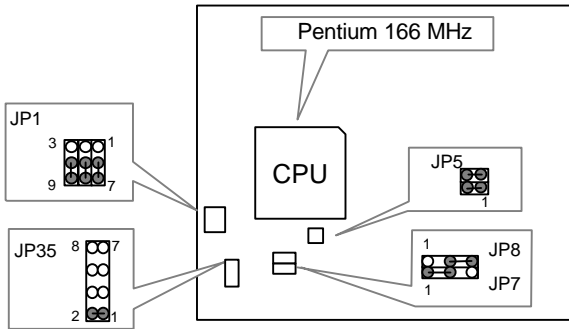
6. Intel Pentium 150 MHz

JP5		JP8	JP7	JP1			JP35
1-2	3-4	1-2	2-3	4-7	5-8	6-9	1-2



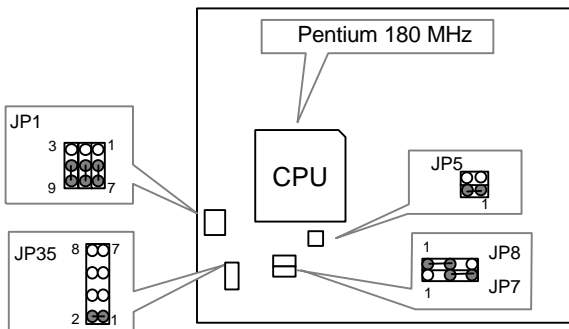
7. Intel Pentium 166 MHz

JP5		JP8	JP7	JP1			JP35
1-2	3-4	2-3	1-2	4-7	5-8	6-9	1-2



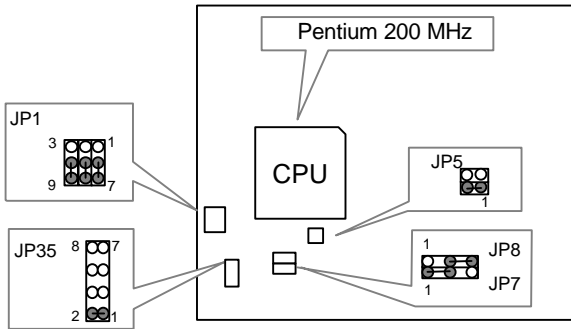
8. Intel Pentium 180 MHz

JP5	JP8	JP7	JP1			JP35
1-2	1-2	2-3	4-7	5-8	6-9	1-2



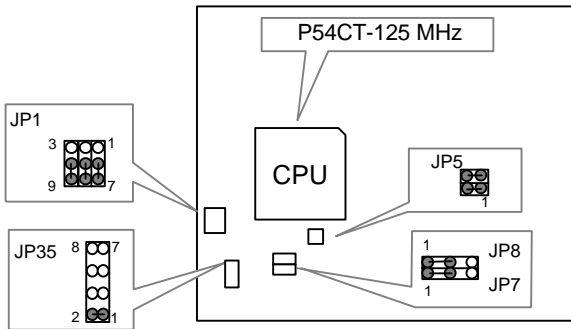
9. Intel Pentium 200 MHz

JP5	JP8	JP7	JP1			JP35
1-2	2-3	1-2	4-7	5-8	6-9	1-2



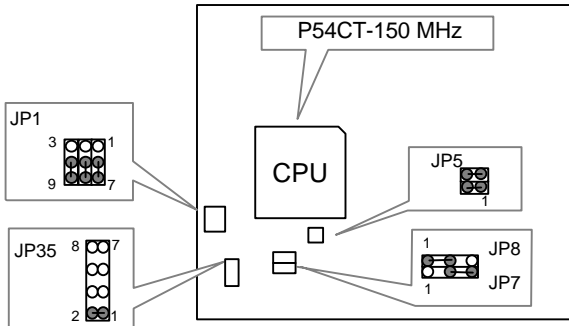
10. P54CT-125 MHz

JP5	JP8	JP7	JP1			JP35
1-2	3-4	1-2	4-7	5-8	6-9	1-2



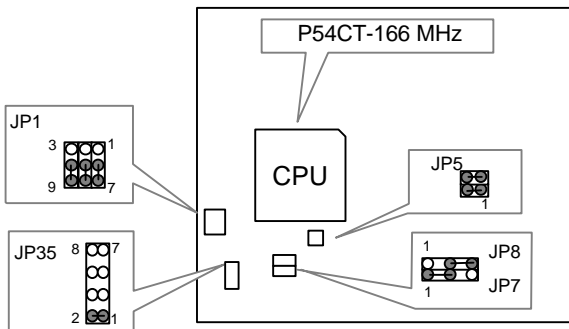
11. P54CT-150 MHz

JP5		JP8	JP7	JP1			JP35
1-2	3-4	1-2	2-3	4-7	5-8	6-9	1-2



12. P54CT-166 MHz

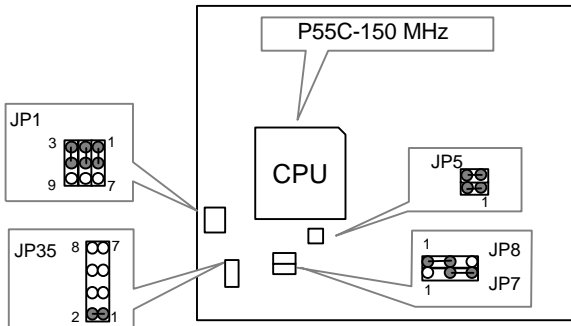
JP5		JP8	JP7	JP1			JP35
1-2	3-4	2-3	1-2	4-7	5-8	6-9	1-2



13. Intel P55C- 150 MHz

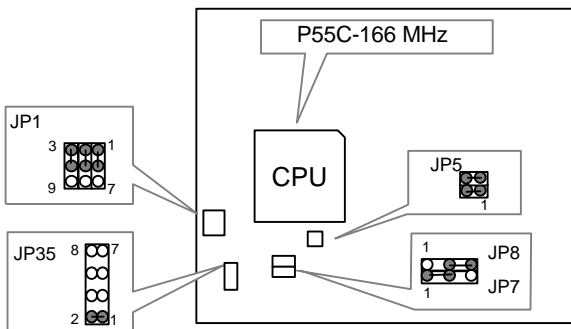


JP5		JP8	JP7	JP1			JP35
1-2	3-4	1-2	2-3	1-4	2-5	3-6	1-2



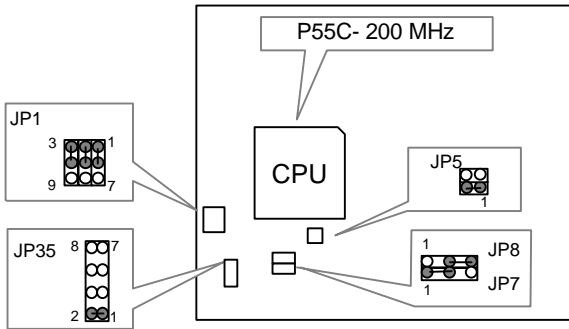
14. Intel P55C-166 MHz

JP5		JP8	JP7	JP1			JP35
1-2	3-4	2-3	1-2	1-4	2-5	3-6	1-2



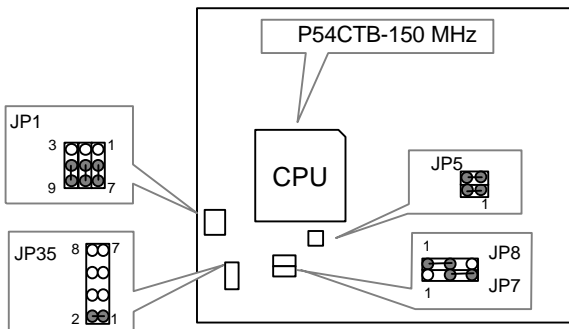
15. Intel P55C- 200 MHz

JP5	JP8	JP7	JP1			JP35
1-2	2-3	1-2	1-4	2-5	3-6	1-2



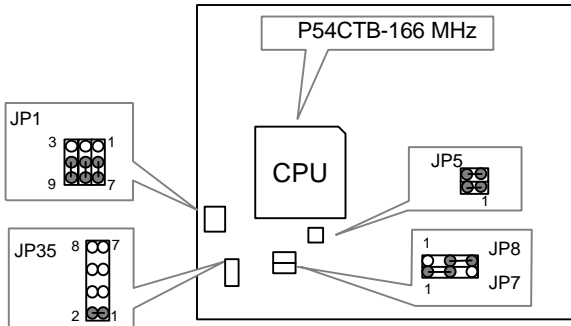
16. P54CTB-150 MHz

JP5	JP8	JP7	JP1			JP35
1-2	3-4	1-2	4-7	5-8	6-9	1-2



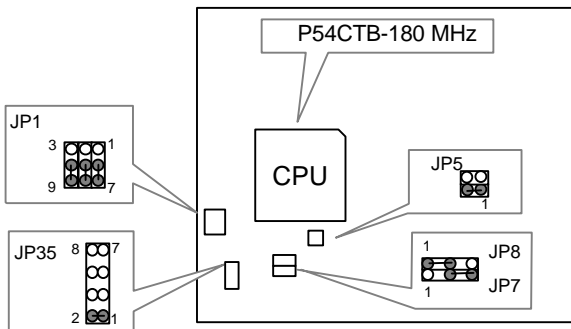
17. P54CTB-166 MHz

JP5		JP8	JP7	JP1			JP35
1-2	3-4	2-3	1-2	4-7	5-8	6-9	1-2



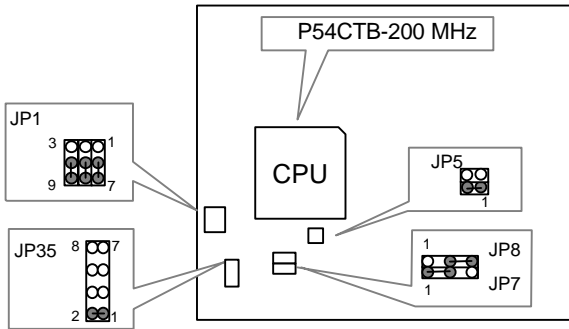
18. P54CTB-180 MHz

JP5	JP8	JP7	JP1			JP35
1-2	1-2	2-3	4-7	5-8	6-9	1-2



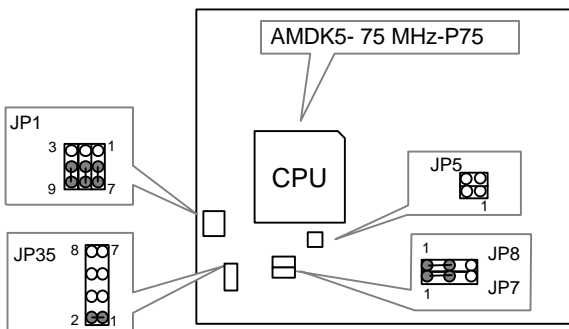
19. P54CTB-200 MHz

JP5	JP8	JP7	JP1			JP35
1-2	2-3	1-2	4-7	5-8	6-9	1-2



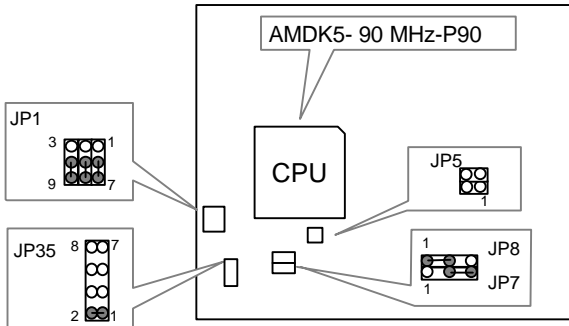
20. AMDK5- 75 MHz-P75

JP5	JP8	JP7	JP1			JP35
OFF	1-2	1-2	4-7	5-8	6-9	1-2



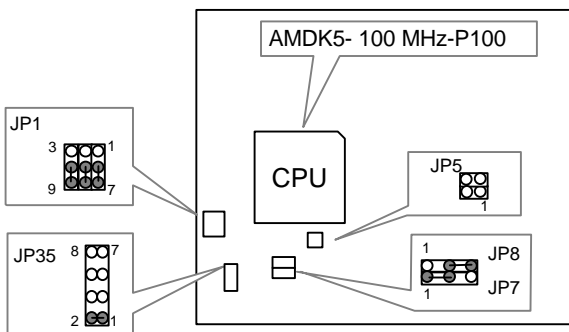
21. AMDK5- 90 MHz-P90

JP5	JP8	JP7	JP1			JP35
OFF	1-2	2-3	4-7	5-8	6-9	1-2



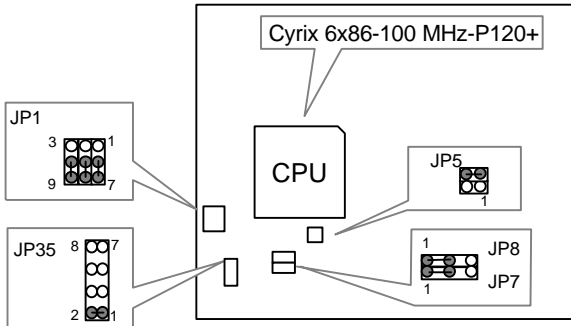
22. AMDK5-100 MHz-P100

JP5	JP8	JP7	JP1			JP35
OFF	2-3	1-2	4-7	5-8	6-9	1-2



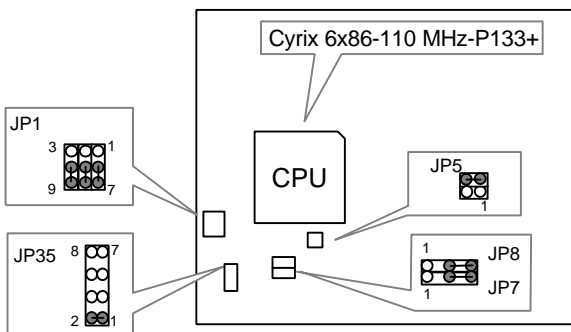
23. Cyrix 6x86-100 MHz-P120+

JP5	JP8	JP7	JP1			JP35
3-4	1-2	1-2	4-7	5-8	6-9	1-2



24. Cyrix 6x86-110 MHz-P133+

JP5	JP8	JP7	JP1			JP35
3-4	2-3	2-3	4-7	5-8	6-9	1-2

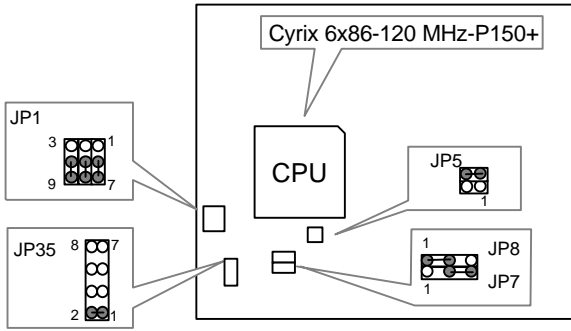


**Note:** If Cyrix CPU is using, make sure Date-Code After 6620

25. Cyrix 6x86-120 MHz-P150+

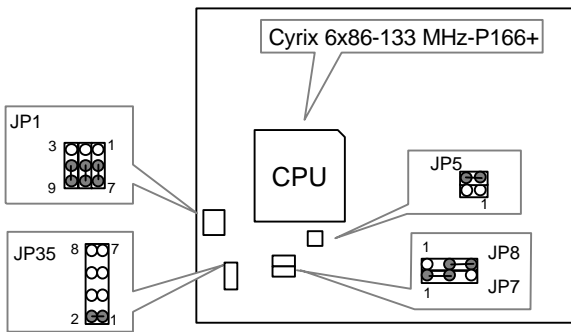
JP5	JP8	JP7	JP1			JP35
-----	-----	-----	-----	--	--	------

3-4	1-2	2-3	4-7	5-8	6-9	1-2
-----	-----	-----	-----	-----	-----	-----



26. Cyrix 6x86-133 MHz-P166+

JP5	JP8	JP7	JP1			JP35
3-4	2-3	1-2	4-7	5-8	6-9	1-2



## II. Quick Installation Guide of Jumper setting:

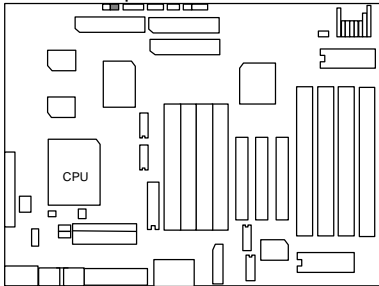
### GN: Green Function Switch



Close One Time: For system entering Green mode.



Open: Normal operation.

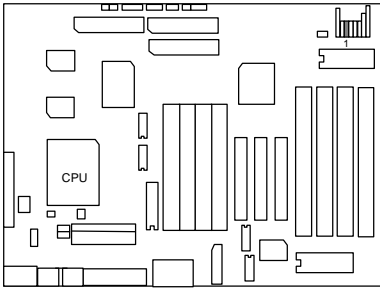


### GD: Green Function LED



Pin No.	Function
1	LED anode (+)
2	LED cathode (-)





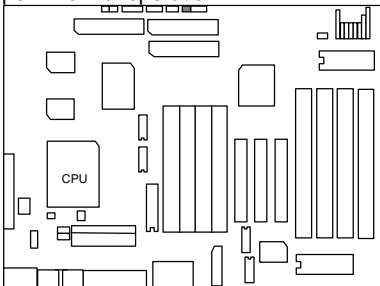
**RST: Reset Switch**



Close: For hardware reset system



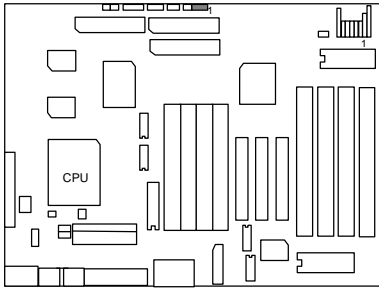
Open: Normal operation.



**SPK: Speaker Connector**



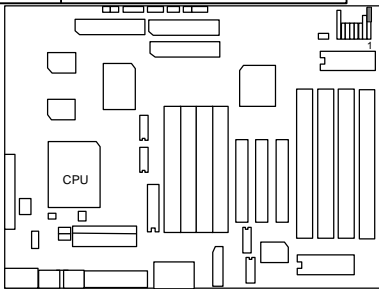
Pin No.	Function
1	VCC
2	NC
3	NC
4	Date



**PWR: Key-Lock Connector**



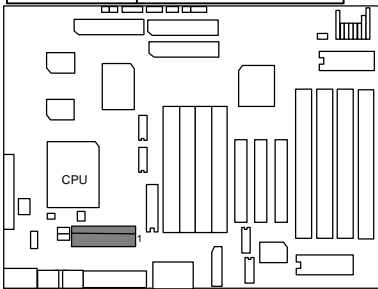
Pin No.	Function
1	Key Lock.
2	GND.



**POWER: Power Connector**



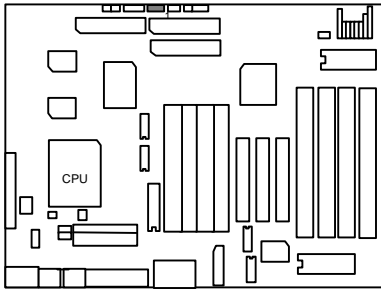
Pin No.	Function
1	Power Good signal.
2,10,11,12	VCC (+5V)
3	+12V
4	-12V
5,6,7,8	GND
9	-5V



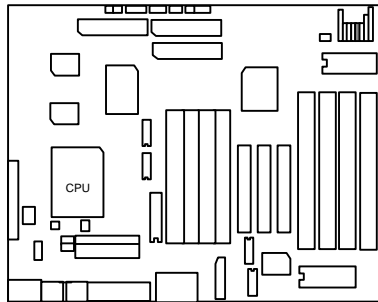
**HD: IDE Hard Disk Active LED**



Pin No.	Function
1	LED anode (+)
2	LED cathode (-)
3	LED cathode (-)
4	LED anode (+)



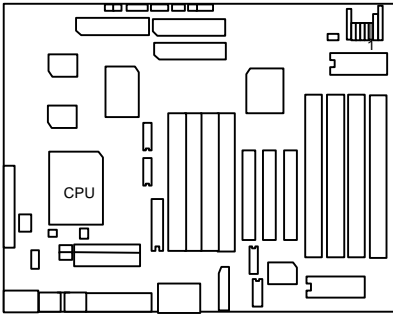
**TB: Turbo Switch**  
Function Reserved



**TD: Turbo LED Connector**



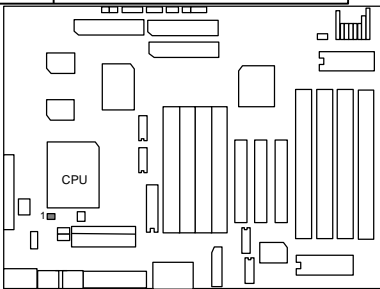
Pin No.	Function
1	LED anode (+)
2	LED cathode (-)



**JP2: CPU Cooling Fan Power Connector**

1  


Pin No.	Function
1	+12V
2	GND

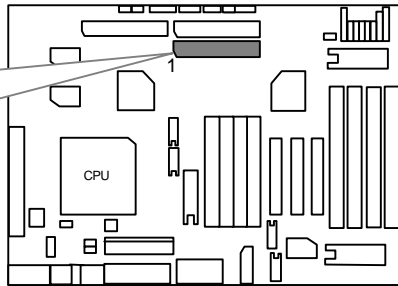
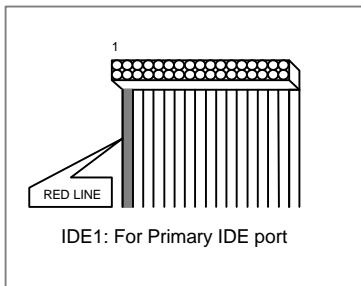
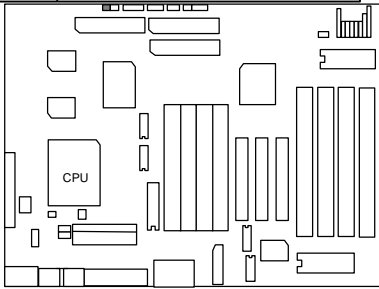


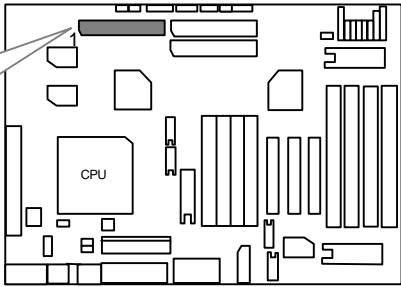
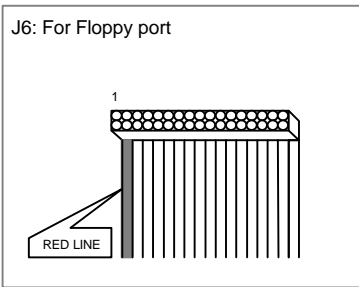
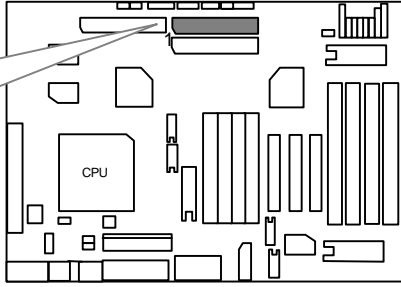
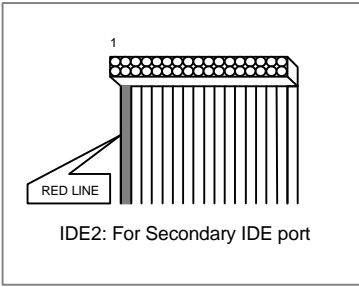
**SOFT-PWR:**



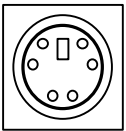
Close One Time : Switch power from on to off  
or from off to on.

Pin No.	Function
1	GND
2	CTRL- Signal

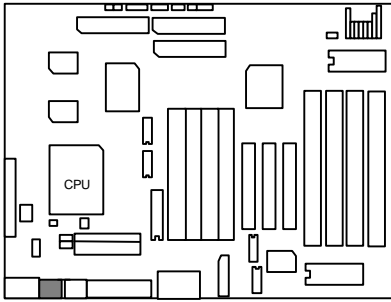




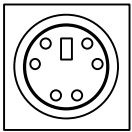
**J4: PS/2 Mouse**



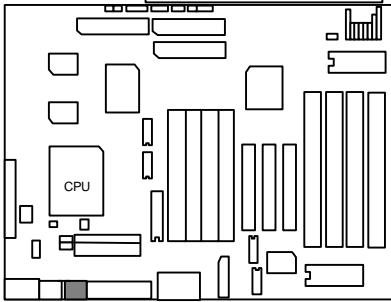
PS/2 Mouse	
Pin No.	Function
1	Key Data
2	NC
3	GND
4	VCC (+5V)
5	Key Clock.
6	NC



**J5: Keyboard Connector**



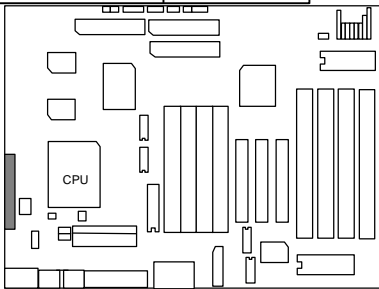
PS/2 Keyboard	
Pin No.	Function
1	Key Data
2	NC
3	GND
4	VCC (+5V)
5	Key Clock.
6	NC



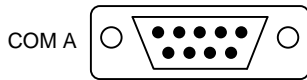


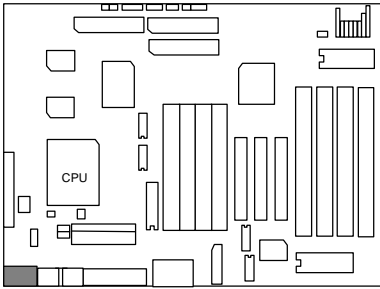
**J3: ATX Power Connector**

Pin No.	Function
1,2,11	NC
3,5,7,13,15,16,17	GND
4,6,19,20	VCC
8	Power good
9	5VSB
10	+12V
12	-12V
14	PSON
18	-5V

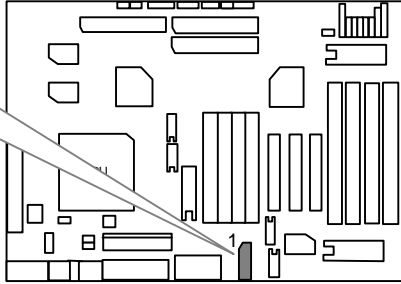
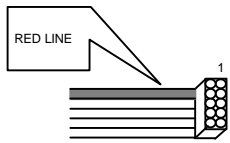


**J2: COMA Port**

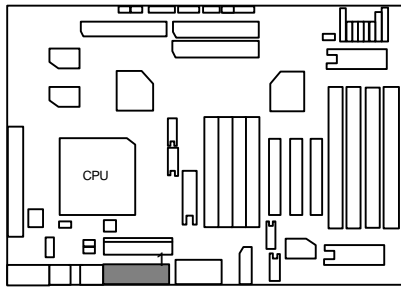
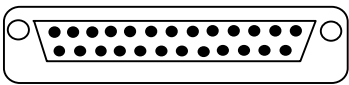




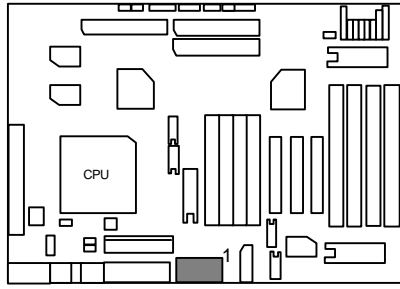
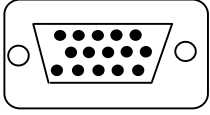
**J16:COMB PORT**



**J7:LPT PORT**



**J10: VGA PORT**



The author assumes no responsibility for any errors or omissions which may appear in this document nor does it make a commitment to update the information contained herein.

IBM PC/AT, PC/XT are trademarks of International Business Machine Corporation.  
PENTIUM is a trademark of Intel Corporation.  
AWARD is a trademark of Award Software, Inc.  
MS-DOS WINDOWS NT are registered trademarks of Microsoft Corporation.  
UNIX is a trademark of Bell Laboratories.

OCTOBER 03, 1996 Taipei, Taiwan

---

**TABLE OF CONTENTS**

1. INTRODUCTION ..... 1-1

1.1. PREFACE..... 1-1

1.2. KEY FEATURES ..... 1-1

1.3. PERFORMANCE LIST ..... 1-2

1.4. BLOCK DIAGRAM ..... 1-3

1.5. INTRODUCE THE PCI - BUS ..... 1-4

1.6. FEATURES..... 1-4

2. SPECIFICATION ..... 2-1

2.1. HARDWARE ..... 2-1

2.2. SOFTWARE..... 2-2

2.3. ENVIRONMENT..... 2-2

3. HARDWARE INSTALLATION ..... 3-1

3.1. UNPACKING..... 3-1

3.2. MAINBOARD LAYOUT..... 3-2

3.3. QUICK REFERENCE FOR JUMPERS & CONNECTORS ..... 3-2

3.4. DRAM INSTALLATION ( EDO & F.P. )..... 3-5

3.5. SRAM INSTALLATION..... 3-6

3.6. CPU INSTALLATION AND JUMPERS SETUP..... 3-6

3.7. COMS RTC & ISA CFG CMOS SRAM..... 3-7

3.8. SPEAKER CONNECTOR INSTALLATION..... 3-7

3.9. POWER LED CONNECTOR INSTALLATION ..... 3-7

3.10. TURBO SWITCH CONNECTOR INSTALLATION..... 3-7

3.11. TURBO LED CONNECTOR INSTALLATION ..... 3-7

3.12. HARDWARE RESET SWITCH CONNECTOR INSTALLATION ..... 3-8

3.13. GREEN FUNCTION INSTALLATION ..... 3-8

3.14. PERIPHERAL DEVICE INSTALLATION..... 3-8

3.15. KEYBOARD SETTING FUNCTION..... 3-8

4. BIOS CONFIGURATION..... 4-1

4.1. ENTERING SETUP ..... 4-1

4.2. CONTROL KEYS ..... 4-2

4.3. GETTING HELP ..... 4-3

4.3.1. Main Menu .....	4-3
4.3.2. Status Page Setup Menu / Option Page Setup Menu .....	4-3
4.4. THE MAIN MENU.....	4-3
4.5. STANDARD CMOS SETUP MENU.....	4-5
4.6. BIOS FEATURES SETUP .....	4-9
4.7. CHIPSET FEATURES SETUP.....	4-12
4.8. POWER MANAGEMENT SETUP .....	4-14
4.9. PNP/PCI CONFIGURATION.....	4-17
4.10. LOAD BIOS DEFAULTS.....	4-18
4.11. LOAD SETUP DEFAULTS.....	4-19
4.12. INTEGRATED PERIPHERALS .....	4-20
4.13. SUPERVISOR / USER PASSWORD .....	4-23
4.14. IDE HDD AUTO DETECTION.....	4-24
4.15. HDD LOW LEVEL FORMAT .....	4-25
4.16. SAVE & EXIT SETUP.....	4-26
4.17. EXIT WITHOUT SAVING.....	4-27
5. AT TECHNICAL INFORMATION.....	5-1
5.1. I/O BUS Enhanced Parallel Port CONNECTOR PIN OUT.....	5-1
5.1.1. ISA SLOT PIN OUT .....	5-1
5.1.2. PCI - BUS SLOT PIN OUT.....	5-2
5.2. I/O & MEMORY MAP .....	5-3
5.3. TIMER & DMA CHANNELS MAP.....	5-3
5.4. INTERRUPT MAP .....	5-4
5.5. RTC & CMOS RAM MAP.....	5-5
APPENDIX A: POST MESSAGE .....	A-1
APPENDIX B: POST CODES .....	B-1
APPENDIX C: BIOS DEFAULT DRIVE TABLE.....	C-1
APPENDIX D: PROBLEM SHEET .....	D-1

## 1. INTRODUCTION

### 1.1. PREFACE

Welcome to use the **GA - 586MS** motherboard. The motherboard is a Pipeline 256/512 KB CACHE PENTIUM™ Processor based PC / AT compatible system with ISA bus and PCI Local Bus, and has been designed to be the fastest PC / AT system. There are some new features allowing you to operate the system with just the performance you want.

This manual also explains how to install the motherboard for operation, and how to set up your CMOS CONFIGURATION with BIOS SETUP program.

### 1.2. KEY FEATURES

- ❑ Pentium® based PC / AT compatible mainboard with PCI - ISA Bus.
- ❑ 3 PCI Bus slots, 4 ISA Bus slots.
- ❑ Supports Pentium processor / P54CT running at 75-200 MHz / P55C / P54CTB 166MHz-200MHz / AMDK5(P-75 / P-90 / P-100), Cyrix 6x86-100 / 110 / 120 / 133 (P-120+ / P-133+ / P-150+ / P-166+).
- ❑ Supports true 64 bits CACHE and DRAM access mode.
- ❑ Supports 321 Pins (Socket 7) ZIF white socket on board.
- ❑ Supports 256/512 KB Pipeline Burst Sync. 2nd Cache.
- ❑ CPU L1 / L2 Write-Back cache operation.
- ❑ Supports 8 - 512 MB DRAM memory on board.
- ❑ Supports 2-channel Enhanced PCI IDE ports for 4 IDE Devices.
- ❑ Supports 2xCOM (16550), 1xLPT (EPP / ECP), 1x1.44MB Floppy port.
- ❑ Supports PS/2 Mouse port.
- ❑ Supports PS/2 Keyboard.
- ❑ Supports Green function, Plug & Play function.
- ❑ Licensed AWARD BIOS, FLASH EEPROM for BIOS update.
- ❑ ATX Form-Factor Layout, 4 layers PCB.
- ❑ Supports USB port. (optional)
- ❑ Supports IRDA TX/RX Header (optional).

### 1.3. PERFORMANCE LIST

The following performance data list is the testing results of some popular benchmark testing programs. These data are just referred by users, and there is no responsibility for different testing data values gotten by users. (The different Hardware & Software configuration will result in different benchmark testing results.)

- CPU Pentium™ processor 133/166 MHz
- DRAM EDO 8MB 2pcs. Total 16 MB (Panasonic EUXSR08XX00E)
- CACHE SIZE 256 KB Pipeline Burst SRAM (UMC UM61L3232AF-7)
- DISPLAY SiS 5596 On-Borad
- STORAGE Onboard IDE port + Quantum Fireball 1280AT
- O.S. MS DOS V6.22 / Windows 95

#### <DOS>

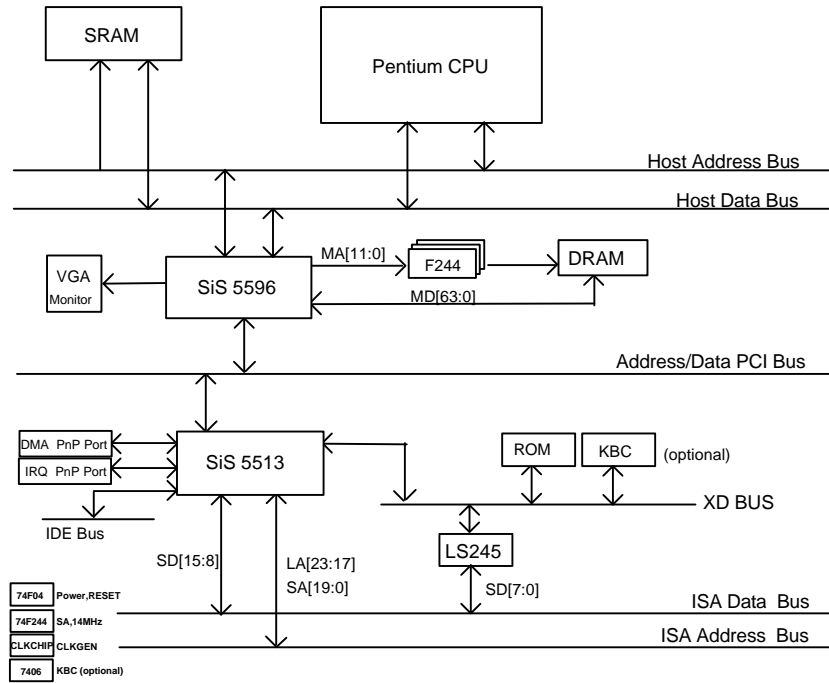
Program	Item	Unit	Pentium 133/66	Pentium 166/66
LandMark Speed V2.0	CPU	MHz	771.39	964.27
	FPU	MHz	2259.69	2824.69
	VIDEO	chr/ms	8936.00	8936
Power Meter V1.81	MIPS	Mips	58.0	69.4
	Dhrystone	K-Dstone/s	102.0	119.0
	Whetstone	K-Wstone/s	27008.0	34459.1
	Data Transfer Rate	KB/S	12490.6	12977.3
	Mean Seek	ms	10.2	10.3
	Track-Track Seek	ms	2.6	2.6
Norton System Info. V8.0	CPU	Index	423.5	529.4
	Disk	Index	23.5	23.8
Core Test V.3.02	DATA Transfer Rate	KB/S	12000	12032
	Sequential Read	ms	6352	6352
	Random Read	ms	2256	2256
	Performance Index	Index	76.92	77.11
PC BenchMark V9.0	DOS Mark	Index	962.69	1033.22
	CPU Mark16	Index	279.88	333.81
	Video Score	Index	4203.56	4207.04
	Disk Score	Index	516.64	536.87

< WINDOWS 95 > – with Display Driver SiS 5596 1024 x 768 x 256 colorsx 70Hz  
– with SiS Windows 95 IDE Driver.

Program	Item	Unit	Pentium 133/66	Pentium 166/66
Winbench 95	Disk Winmark95	KB/s	914	1040
	Graphics Winmark95	Mpixels/S	17.7	20
Winstone 95	Winstone95	Index	140.1	144.6
Winbench 96	CPU mark16		237	259
	CPU mark32		223	242
	Winbench 96		17.4	19.4
Winstone 96	Winstone 96		55.4	58.4



### 1.4. BLOCK DIAGRAM



## 1.5. INTRODUCE THE PCI - BUS

Connecting devices to a CPU local bus can dramatically increase the speed of I/O-bound peripherals with only a slight increase in cost over traditional systems. This price / performance point has created a vast market potential for local bus products. The main barrier to this market has been the lack of an accepted standard for local bus peripherals. Many mainboard and chipset manufactures developed their own local bus implementations, but they are incompatible with each other. The VL (Video Electronics Standards Association) local bus and PCI (Peripheral Component Interconnect) bus specification was created to end this confusion.

The PCI - bus standard, under development since Jun. 1992, which is designed to bring workstation-level performance to standard PC platform. The PCI - bus removes many of the bottlenecks that have hampered PC for several years. On the PCI - bus, peripherals operate at the native speed of the computer system, thus enabling data transfer between peripherals and the system at maximum speed. This performance is critical for bandwidth-constrained devices such as video, multimedia, mass storage, and networking adapters.

PCI - bus standard provides end-users with a low-cost, extendible and portable local bus design, which will allow system and peripherals from different manufactures to work together.

## 1.6. FEATURES

- 32 bits bus transfer mode.
- Bus Master or Slave access.
- Memory burst transfer to 132 MB/sec.
- 33 MHz operation speed.
- 10 device loading ability.
- CPU independent.

## 2. SPECIFICATION

### 2.1. HARDWARE

- CPU
  - Pentium™ processor 75 - 200 MHz, P55C, P54CT, P54CTB, AMDK5(P-75/P-90/P-100), Cyrix6x86(P-120+/P-150+/P-166+).
  - 321 pins (socket 7) ZIF white socket on board.
  - 3.52V / 2.5V,2.7V,2.8V,2.9V Dual Power Ready.
- COPROCESSOR
  - Included in Pentium.
- SPEED
  - 50 / 60 / 66 MHz system and 25 / 30 / 33 PCI-Bus speed.
  - 7.5 / 8 MHz AT bus speed.
  - Hardware and Software speed switchable function.
- DRAM MEMORY
  - 2 banks 72 pins SIMM module socket on board.
  - Use 4 / 8 / 16 / 32/64/128 MB 60~70 ns SIMM module DRAM.
  - 8 ~ 512 MB DRAM size.
  - Supports Fast Page / EDO DRAM access mode.
  - Supports PS/2 Keyboard.
  - IRDA TX/RX Header (optional).
- CACHE MEMORY
  - 16 KB cache memory included in Pentium.
  - Pipeline Burst Sync. 2nd cache.
  - Supports Write Back cache function for both CPU & on board cache.
- SHADOW RAM
  - Shadow RAM cacheable function.
- I/O BUS SLOTS
  - 3 Master / Slave PCI BUS.
  - 4 16-bit ISA BUS.
- IDE PORTS
  - 2-channel Enhanced IDE ports on board. (Using IRQ14, 15)
  - Supports Mode 3,4 IDE & ATAPI CD - ROM.
- I/O PORTS
  - Supports 2 16550 COM ports. (Using IRQ4, 3)
  - Supports 1 EPP/ECP LPT port. (Using IRQ7 or 5 and DMA3 or 1)
  - Supports 1 1.44MB Floppy port. (Using DMA2 & IRQ6)

- GREEN FUNCTION
  - Supports PS/2 Mouse. (Using IRQ12 )
  - Supports Standby & Suspend mode.
  - Supports Green switch & LED.
  - Supports IDE & Display power down.
  - Monitors all IRQ / DMA / Display / I/O events.
- BIOS
  - 128KB FLASH EEPROM.
  - Supports Plug & Play Function.
- DIMENSION
  - ATX form-factor Layout 4 layers.

## 2.2. SOFTWARE

- BIOS
  - Licensed AWARD BIOS.
  - AT CMOS Setup, BIOS / Chipset Setup, Green Setup, Hard Disk Utility included.
- O.S.
  - Operation with MS-DOS V6.22, Windows for workgroup 3.11, Windows 95, WINDOWS NT 3.51, OS/2 Warp 3.0, NOVELL 3.12 / 4.01 / 4.1 and SCO UNIX 3.2.4.

## 2.3. ENVIRONMENT

- Ambient Temp.
  - 0°C to +50°C (Operating).
- Relative Hum.
  - 0 to +85% (Operating).
- Altitude
  - 0 to 10,000 feet (Operating).
- Vibration
  - 0 to 1,000 Hz.
- Electricity
  - 4.9 V to 5.2 V.

## 3. HARDWARE INSTALLATION

### 3.1. UNPACKING

The mainboard package should contain the following:

- The **GA - 586MS** mainboard.
- **USER'S MANUAL**.
- Diskettes for BUS Master IDE Driver & VGA Driver.

The mainboard contains sensitive electric components which can be easily damaged by static electricity, so the mainboard should be left in its original packing until it is installed.

Unpacking and installation should be done on a grounded anti-static mat. The operator should be wearing an anti static wristband, grounded at the same point as the anti-static mat.

Inspect the mainboard carton for obvious damage. Shipping and handling may cause damage to your board. Be sure there are no shipping and handling damages on the board before proceeding.

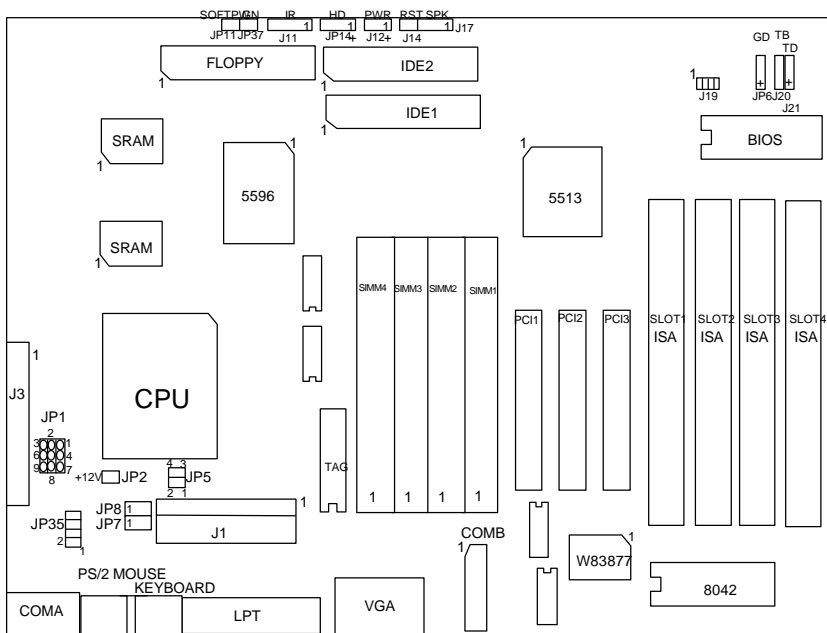
After opening the mainboard carton, extract the system board and place it only on a grounded anti-static surface component side up. Again inspect the board for damage. Press down on all of the socket IC's to make sure that they are properly seated. Do this only on with the board placed on a firm flat surface.

**⚠ DO NOT APPLY POWER TO THE BOARD IF IT HAS BEEN DAMAGED.**

You are now ready to install your mainboard. The mounting hole pattern on the mainboard matches the IBM-AT system board. It is assumed that the chassis is designed for a standard IBM XT/AT mainboard mounting.

Place the chassis on the anti-static mat and remove the cover. Take the plastic clips, Nylon stand-off and screws for mounting the system board. Keep them separate.

### 3.2. MAINBOARD LAYOUT



◀Figure 3.1▶

### 3.3. QUICK REFERENCE FOR JUMPERS & CONNECTORS

◆ JP2: CPU Cooling Fan Power Connector	
Pin No.	Function
1	+12V
2	GND

◆ JP6: Green Function LED	
Pin No.	Function
1	LED anode (+).
2	LED cathode (-).

◆ JP11: Soft-PWR	
Pin No.	Function
1	GND.
2	CTRL-Signal.

◆ JP14: IDE Hard Disk Active LED	
Pin No.	Function

Hardware Installation

1	LED anode (+).
2	LED cathode (-).
3	LED cathode (-).
4	LED anode (+).

◆ JP37: Green Function Switch	
Pin No.	Function
Close	For system entering Green mode ( Suspend mode).
Open	Normal operation.

◆ J1: Power Connector	
Pin No.	Function
1	Power Good signal
2,10,11,12	VCC (+5V)
3	+12V
4	-12V
5,6,7,8	GND
9	-5V

◆ J3: ATX Power Connector	
Pin No.	Function
12	-12V
10	+12V
9	5VSB
18	-5V
4,6,19,20	5V (VCC)
3,5,7,13.15.16.17	GND.
14	PS-ON
8	PW-O.K

◆ J12: Power LED Connector	
Pin No.	Function
1	LED anode (+).
2	NC.
3	LED cathode (-).

◆ J14 : Reset Switch	
Open	For normal operation.
Close	For hardware reset system.

◆ J17: Speaker Connector	
Pin No.	Function
1	VCC.
2	NC.

3	NC.
4	Data.

◆ J26: Key-lock Connector	
Pin No.	Function
1	Key-lock
2	GND.

586 CPU	JP5	JP8	JP7	JP1			JP35	
1. Intel Pentium 75 MHz	OFF	1-2	1-2	4-7	5-8	6-9	1-2	
2. Intel Pentium 90 MHz	OFF	1-2	2-3	4-7	5-8	6-9	1-2	
3. Intel Pentium 100 MHz	OFF	2-3	1-2	4-7	5-8	6-9	1-2	
4. Intel Pentium 120 MHz	3-4	1-2	2-3	4-7	5-8	6-9	1-2	
5. Intel Pentium 133 MHz	3-4	2-3	1-2	4-7	5-8	6-9	1-2	
6. Intel Pentium 150 MHz	1-2	3-4	1-2	2-3	4-7	5-8	6-9	1-2
7. Intel Pentium 166 MHz	1-2	3-4	2-3	1-2	4-7	5-8	6-9	1-2
8. Intel Pentium 180 MHz	1-2	1-2	2-3	4-7	5-8	6-9	1-2	
9. Intel Pentium 200 MHz	1-2	2-3	1-2	4-7	5-8	6-9	1-2	
10. P54CT-125 MHz	1-2	3-4	1-2	1-2	4-7	5-8	6-9	1-2
11. P54CT-150 MHz	1-2	3-4	1-2	2-3	4-7	5-8	6-9	1-2
12. P54CT-166 MHz	1-2	3-4	2-3	1-2	4-7	5-8	6-9	1-2
13. Intel P55C-150 MHz	1-2	3-4	1-2	2-3	1-4	2-5	3-6	1-2
14. Intel P55C-166 MHz	1-2	3-4	2-3	1-2	1-4	2-5	3-6	1-2
15. Intel P55C-200 MHz	1-2	2-3	1-2	1-4	2-5	3-6	1-2	
16. P54CTB 150 MHz	1-2	3-4	1-2	2-3	4-7	5-8	6-9	1-2
17. P54CTB-166 MHz	1-2	3-4	2-3	1-2	4-7	5-8	6-9	1-2
18. P54CTB-180 MHz	1-2	1-2	2-3	4-7	5-8	6-9	1-2	
19. P54CTB-200 MHz	1-2	2-3	1-2	4-7	5-8	6-9	1-2	
20. AMDK5- 75 MHz-P75	OFF	1-2	1-2	4-7	5-8	6-9	1-2	
21. AMDK5- 90 MHz-P90	OFF	1-2	2-3	4-7	5-8	6-9	1-2	
22. AMDK5-100 MHz-P100	OFF	2-3	1-2	4-7	5-8	6-9	1-2	
23. Cyrix 6x86-100 MHz-P120+	3-4	1-2	1-2	4-7	5-8	6-9	1-2	
24. Cyrix 6x86-110 MHz-P133+	3-4	2-3	2-3	4-7	5-8	6-9	1-2	
25. Cyrix 6x86-120 MHz-P150+	3-4	1-2	2-3	4-7	5-8	6-9	1-2	
26. Cyrix 6x86-133 MHz-P166+	3-4	2-3	1-2	4-7	5-8	6-9	1-2	

◆ J6,CON1,CON2,J7,J4,J5,J2,J16	
J6	For Floppy port
CON1	For Primary IDE port
CON2	For Secondary IDE port
J7	For LPT port



J4,J5	For PS/2 Mouse port & PS/2 Keyboard Port.
J2,J16	For COM A (Serial port1) & COM B (Serial port2)

### 3.4. DRAM INSTALLATION ( EDO & F.P. )

The mainboard can be installed with 4 / 8 / 16 / 32 MB 72 pins SIMM module DRAM, and the DRAM speed must be 60 or 70 ns.

The DRAM memory system on mainboard consists of bank 0, & bank 1.

Each bank consists of 2 sockets for 72 pins SIMM module DRAM.

Because the 72 pins SIMM module is 32 bits width, using 2 PCs which can match a 64 bits system.

The total memory size is 8 - 512 MB.

For the DRAM installation position, please refer to Figure 3.1. Note that the Pin 1 of SIMM module must match with the Pin 1 of SIMM socket when the DRAM SIMM module is installed.

Insert the DRAM SIMM module into the SIMM socket at 45 degree angle.

If there is a wrong direction of Pin 1, the DRAM SIMM module couldn't be inserted into socket completely.

After completely insert SIMM module into socket, then press the SIMM module in vertical direction until the left and right metal holders can keep the SIMM module standing up firmly.

DRAM configuration table:

BANK0	BANK1	TOTAL SIZE
4MB * 2pcs.		8MB
4MB * 2pcs.	4MB * 2pcs.	16MB

8MB * 2pcs.		16MB
8MB * 2pcs.	4MB * 2pcs.	24MB
8MB * 2pcs.	8MB * 2pcs.	32MB
16MB * 2pcs.		32MB
16MB * 2pcs.	4MB * 2pcs.	40MB
16MB * 2pcs.	8MB * 2pcs.	48MB
16MB * 2pcs.	16MB * 2pcs.	64MB
32MB * 2pcs.		64MB
32MB * 2pcs.	4MB * 2pcs.	72MB
32MB * 2pcs.	8MB * 2pcs.	80MB
32MB * 2pcs.	16MB * 2pcs.	96MB
32MB * 2pcs.	32MB * 2pcs.	128MB
64MB * 2pcs.	64MB * 2pcs.	256MB
128MB * 2pcs.	128MB * 2pcs.	512MB

### 3.5. SRAM INSTALLATION

The mainboard provides 256/512 KB Pipeline SRAM .

### 3.6. CPU INSTALLATION AND JUMPERS SETUP

The system speed (JP8,JP7) depends on the frequency of CLOCK GENERATOR. The user can change Single, Dual Voltage on JP1,JP35, to set up the system speed to 50 MHz, 60 MHz or 66 MHz for Pentium Processor (75-200 MHz) / AMDK5 (P-75 / P-90 / P-100) / Cyrix 6x86 (P-120+ / P-150+ / P-133P / P-166+).

The mainboard can use PENTIUM processor, P54CT, P55C or P54CTB, AMDK5, Cyrix6x86 CPU, and the CPU speed must match with the frequency of CLOCK GEN. It will cause system hanging up if the CLOCK GEN.'S frequency is faster than CPU's.

- **The CPU is a sensitive electric component and it can be easily damaged by static electricity, so users must keep it away from metal surface when the CPU is installed onto mainboard.**
- **When the user installs the CPU on socket, please notice that the PIN 1 of CPU is in the same corner as the PIN 1 of socket!**

- **Before the CPU is installed, the mainboard must be placed on a flat plane in order to avoid being broken by the pressure of CPU installation.**

### **3.7. COMS RTC & ISA CFG CMOS SRAM**

Built-in Rel Time Clock (RTC) With 256B CMOS SRAM in 5513.

### **3.8. SPEAKER CONNECTOR INSTALLATION**

There is always a speaker in AT system for sound purpose. The 4 - Pins connector **SPEAKER** is used to connect speaker.

The speaker can work well in both direction of connector when it is installed to the connector **SPEAKER** on mainboard.

### **3.9. POWER LED CONNECTOR INSTALLATION**

There is a system power LED light on the panel of case. The power LED will light on when system is powered-on.

The connector should be installed to PWR LED of mainboard in correct direction.

### **3.10. TURBO SWITCH CONNECTOR INSTALLATION**

Function Reserved.

### **3.11. TURBO LED CONNECTOR INSTALLATION**

The TURBO LED on panel can indicate the current speed status of system.

The TURBO LED connector should be installed to **TD** in correct direction.

### **3.12. HARDWARE RESET SWITCH CONNECTOR INSTALLATION**

The RESET switch on panel provides users with HARDWARE RESET function which is almost the same as power-on/off.

The system will do a cold start after the RESET switch is pushed and released by user. The RESET switch is a 2 PIN connector and should be installed to **RESET** on mainboard.

### 3.13. GREEN FUNCTION INSTALLATION

For the purpose of power saving, there are two jumpers, **GN** and **GD**, to make sure that the power saving function is working.

The **GD** is an indicator (green LED) for green function.

If the green LED is ON, the system is operating in green mode.

The **GN** is a switch to force the system to get into green mode immediately.

### 3.14. PERIPHERAL DEVICE INSTALLATION

After installation of the device and setup of the jumpers, the mainboard can be mounted into the case and fixed by screw.

To complete the mainboard installation, the peripheral devices could be installed now.

The basic system needs a display interface card and a storage device.

If a PCI - Bus device is to be installed in the system, any one of four PCI - Bus slots can be used for Slave or Master PCI - Bus device.

After installing the peripheral device, the user should check everything again and prepare to power-on the system.

### 3.15. KEYBOARD SETTING FUNCTION

After booting the O.S., there are some special functions used by keyboard as follows:

"CTRL_ALT_DEL"	– Pressing these keys simultaneously will cause system to Warm Start (Software Reset).
----------------	--

## 4. BIOS CONFIGURATION

Award's BIOS ROM has a built-in Setup program that allows users to modify the basic system configuration.

This type of information is stored in battery-backed CMOS SRAM so that it retains the Setup information when the power is turned off.

### 4.1. ENTERING SETUP

To Power ON the computer and press <Del> immediately will allow you to enter Setup.

The other way to enter Setup is to power on the computer.

When the below message appears briefly at the bottom of the screen during the POST (Power On Self Test), press <Del> key or simultaneously press <Ctrl>, <Alt>, and <Esc> keys.

- **TO ENTER SETUP BEFORE BOOT PRESS CTRL-ALT-ESC OR DEL KEY**

If the message disappears before you respond and you still wish to enter Setup, restart the system to try again by turning it OFF then ON or pressing the "RESET" bottom on the system case.

You may also restart by simultaneously pressing <Ctrl>,<Alt>, and <Del> keys.

If you do not press the keys at the correct time and the system does not boot, an error message will be displayed and you will again be asked to,

- **PRESS F1 TO CONTINUE, CTRL-ALT-ESC OR DEL TO ENTER SETUP**

## 4.2. CONTROL KEYS

Up arrow	Move to previous item
Down arrow	Move to next item
Left arrow	Move to the item in the left hand
Right arrow	Move to the item in the right hand
Esc key	Main Menu - Quit and not save changes into CMOS Status Page Setup Menu and Option Page Setup Menu - Exit current page and return to Main Menu
PgUp key	Increase the numeric value or make changes
PgDn key	Decrease the numeric value or make changes
F1 key	General help, only for Status Page Setup Menu and Option Page Setup Menu
F2 key	Change color from total 16 colors
F3 key	Calendar, only for Status Page Setup Menu
F4 key	Reserved
F5 key	Restore the previous CMOS value from CMOS, only for Option Page Setup Menu
F6 key	Load the default CMOS value from BIOS default table, only for Option Page Setup Menu
F7 key	Load the default
F8 key	Reserved
F9 key	Reserved
F10 key	Save all the CMOS changes, only for Main Menu

### 4.3. GETTING HELP

#### 4.3.1. Main Menu

The on-line description of the highlighted setup function is displayed at the bottom of the screen.

#### 4.3.2. Status Page Setup Menu / Option Page Setup Menu

Press F1 to pop up a small help window that describes the appropriate keys to use and the possible selections for the highlighted item. To exit the Help Window press <Esc>.

### 4.4. THE MAIN MENU

Once you enter Award BIOS CMOS Setup Utility, the Main Menu (Figure 4.1) will appear on the screen. The Main Menu allows you to select from twelve setup functions and two exit choices. Use arrow keys to select among the items and press <Enter> to accept or enter the sub-menu.

ROM PCI / ISA BIOS  
 CMOS SETUP UTILITY  
 AWARD SOFTWARE, INC.

STANDARD CMOS SETUP	INTEGRATED PERIPHERALS
BIOS FEATURES SETUP	SUPERVISOR PASSWORD
CHIPSET FEATURES SETUP	USER PASSWORD
POWER MANAGEMENT SETUP	IDE HDD AUTO DETECTION
PNP/PCI CONFIGURATION	HDD LOW LEVEL FORMAT
LOAD BIOS DEFAULTS	SAVE & EXIT SETUP
LOAD SETUP DEFAULTS	EXIT WITHOUT SAVING
ESC : Quit F10 : Save & Exit Setup	
↑ ↓ → ← : Select Item (Shift)F2 : Chang Color	
Time, Date, Hard Disk Type, ...	

Figure 4.1: Main Menu

- Standard CMOS setup

This setup page includes all the items in a standard compatible BIOS.

- BIOS features setup

This setup page includes all the items of Award special enhanced features.

- Chipset features setup

This setup page includes all the items of chipset special features.

- Power management setup

This setup page includes all the items of Green function features.

- PNP/PCI configuration

This setup page includes all the items of PNP/PCI configuration features.

- Load BIOS defaults

BIOS defaults indicates the most appropriate value of the system parameter which the system would be in safe configuration.

- Load setup defaults

BIOS defaults indicates the most appropriate value of the system parameter which the system would be in safe configuration.

- Integrated Peripherals

This setup page includes all the items of peripherals features.

- Supervisor Password

Change, set, or disable password. It allows you to limit access to the system and Setup, or just to Setup.

- User Password

Change, set, or disable password. It allows you to limit access to the system.

- IDE HDD auto detection

Automatically configure hard disk parameter.

- HDD low level format

Low level format IDE Hard Disk.

- Save & exit setup

Save CMOS value changes to CMOS and exit setup.

- Exit without save

Abandon all CMOS value changes and exit setup.

#### **4.5. STANDARD CMOS SETUP MENU**

The items in Standard CMOS Setup Menu (Figure 4.2) are divided into 8 categories. Each category includes no, one or more than one setup items. Use the arrows to highlight the item and then use the <PgUp> or <PgDn> keys to



select the value you want in each item.

ROM PCI / ISA BIOS  
STANDARD CMOS SETUP  
AWARD SOFTWARE, INC.

Date (mm:dd:yy): Fri, Mar 1 1996								
Time (hh:mm:ss): 16 : 49 : 18								
HARD DISKS	TYPE	SIZE	CYLS	HEAD	PRECOMP	LANDZ	SECTOR	MODE
Primary Master	: Auto	0	0	0	0	0	0	AUTO
Primary Slave	: None	0	0	0	0	0	0	-----
Secondary Master	: None	0	0	0	0	0	0	-----
Secondary Slave	: None	0	0	0	0	0	0	-----
Drive A : 1.44M , 3.5 inch.								
Drive B : None								
Floppy 3 Mode Support : Disabled								
Video : EGA/VGA								
Halt On : No Errors								
		Base Memory: 640 K Extended Memory: 15360 K Other Memory: 384 K <hr/> Total Memory: 16384 K						
ESC : Quit      ↑ ↓ → ← : Select Item      PU/PD/+/- : Modify F1 : Help      (Shift)F2 : Chang Color								

Figure 4.2: Standard CMOS Setup Menu

- Date

The date format is <day>, <date> <month> <year>. Press <F3> to show the calendar.

day	The day, from Sun to Sat, determined by the BIOS and is display-only
date	The date, from 1 to 31 (or the maximum allowed in the month)
month	The month, Jan. through Dec.
year	The year, from 1900 through 2099

- Time

The time format in <hour> <minute> <second>.

The time is calculated base on the 24-hour military-time clock. For example, 1 p.m. is 13:00:00.

- Primary HDDs / Secondary HDDs

The category identify the types of hard disk drive that has been installed in the computer.

There are 45 pre-defined types and a user definable type. Type 1 to Type 45 are pre-defined.

Type User is user-definable and type Auto will automatically detect HDD's type..

Press PgUp or PgDn to select a numbered hard disk type or type the number and press <Enter>.

Note that the specifications of your drive must match with the drive table. The hard disk will not work properly if you enter improper information for this category.

If your hard disk drive type is not matched or listed, you can use Type User to define your own drive type manually.

If you select Type User, related information is asked to be entered to the following items. Enter the information directly from the keyboard and press <Enter>.

Those information should be provided in the documentation form of your hard disk vendor or the system manufacturer.

CYLS.	number of cylinders
HEADS	number of heads
PRECOMP	write precomp
LANDZONE	landing zone
SECTORS	number of sectors

If a hard disk has not been installed select NONE and press <Enter>.

- Drive A type / Drive B type

The category identify the types of floppy disk drive A or drive B that has been installed in the computer.

None	No floppy drive installed
360K, 5.25 in.	5-1/4 inch PC-type standard drive; 360 kilobyte

	capacity.
1.2M, 5.25 in.	5-1/4 inch AT-type high-density drive; 1.2 megabyte capacity (3-1/2 inch when 3 Mode is Enabled).
720K, 3.5 in.	3-1/2 inch double-sided drive; 720 kilobyte capacity
1.44M, 3.5 in.	3-1/2 inch double-sided drive; 1.44 megabyte capacity.
2.88M, 3.5 in.	3-1/2 inch double-sided drive; 2.88 megabyte capacity.

- Floppy 3 Mode Support

Disabled	No 3 mode floppy drive installed.
Drive A	Installed 3 mode drive at drive A.
Drive B	Installed 3 mode drive at drive B.
Both	Installed 3 mode drive at drive A and drive B.

- Video

The category detects the type of adapter used for the primary system monitor that must match your video display card and monitor. Although secondary monitors are supported, you do not have to select the type in setup.

EGA/VGA	Enhanced Graphics Adapter/Video Graphics Array. For EGA, VGA, SVGA, or PGA monitor adapters
CGA 40	Color Graphics Adapter, power up in 40 column mode
CGA 80	Color Graphics Adapter, power up in 80 column mode
MONO	Monochrome adapter, includes high resolution monochrome adapters

- Halt on

The category determines whether the computer will stop if an error is detected during power up.

NO errors	The system boot will not be stopped for any error that may be detected
All errors	Whenever the BIOS detects a non-fatal error the

	system will be stopped and you will be prompted
All,But Keyboard	The system boot will not stop for a keyboard error; it will stop for all other errors
All, But Diskette	The system boot will not stop for a disk error; it will stop for all other errors
All, But Disk/Key	The system boot will not stop for a keyboard or disk error; it will stop for all other errors

- **Memory**

The category is display-only which is determined by POST (Power On Self Test) of the BIOS.

#### **Base Memory**

The POST of the BIOS will determine the amount of base (or conventional) memory installed in the system.

The value of the base memory is typically 512K for systems with 512K memory installed on the motherboard, or 640K for systems with 640K or more memory installed on the motherboard.

#### **Extended Memory**

The BIOS determines how much extended memory is presented during the POST. This is the amount of memory located above 1MB in the CPU's memory address map.

#### **Expanded Memory**

Expanded Memory is defined by the Lotus/Intel/Microsoft (LIM) standard as EMS. Many standard DOS applications can not utilize memory above 640K.

The Expanded Memory Specification (EMS) swaps memory which is not utilized by DOS with a section, or frame, so these applications can access all of the system memory. Memory which can be swapped by EMS is usually 64K within 1MB or memory above 1MB, depending on the chipset design.

Expanded memory device driver is required to use memory as

Expanded Memory.

**Other Memory**

This refers to the memory located in the 640K to 1024 K address space.

This is memory that can be used for different applications. DOS uses this area to load device drivers to keep as much base memory free for application programs. Most usage for this area is Shadow RAM.

**4.6. BIOS FEATURES SETUP**

ROM PCI / ISA BIOS  
 BIOS FEATURES SETUP  
 AWARD SOFTWARE, INC.

Virus Warning	: Disabled	Video BIOS Shadow	: Enabled
CPU Internal Cache	: Enabled	C8000 - CBFFF Shadow	: Disabled
External Cache	: Enabled	CC000 - CFFFF Shadow	: Disabled
Quick Power On Self Test	: Enabled	D0000 - D3FFF Shadow	: Disabled
Boot Sequence	: A, C	D4000 - D7FFF Shadow	: Disabled
Swap Floppy Drive	: Disabled	D8000 - DBFFF Shadow	: Disabled
Boot Up Floppy Seek	: Enabled	DC000 - DFFFF Shadow	: Disabled
Boot Up NumLock Status	: On		
Security Option	: Setup		
Assign IRQ For VGA	: Disabled		
		ESC : Quit    ↑ ↓ → ← : Select Item F1 : Help      PU/PD/+/- : Modify F5 : Old Values (Shift)F2 : Color F6 : Load BIOS Defaults F7 : Load Setup Defaults	

Figure 4.3: BIOS Features Setup

• **Virus Warning**

This category flashes on the screen. During and after the system boots up, any attempt to write to the boot sector or partition table of the hard disk drive will halt the system and the following error message will appear.

In the mean time, you can run anti-virus program to locate the problem. Default value is Disabled.

Enabled	Activate automatically when anything attempts to access the boot sector or hard disk partition table. Which is informed by a warning message.
Disabled	No warning message appears when anything attempts to

	access the boot sector or hard disk partition table
--	---

- CPU Internal Cache / External Cache

These two categories speed up memory access. However, it depends on CPU / chipset design. The default value is Enabled.

Enabled	Enable cache function.
Disabled	Disable cache function.

- Quick Power On Self Test

This category speeds up Power On Self Test (POST) after you power on the computer. If it is set to Enable, BIOS will skip some check items during POST. The default value is Enabled.

Enabled	Enable quick POST
Disabled	Normal POST

- Boot Sequence

This category determines which drive computer searches first for the disk operating system (i.e., DOS). Default value is A,C.

A,C	System will first search for floppy disk drive then hard disk drive.
C,A	System will first search for hard disk drive then floppy disk drive.

- Swap Floppy Drive

The default value is Disabled.

Enabled	Floppy A & B will be swapped under DOS
Disabled	Floppy A & B will be normal definition

- Boot Up Floppy Seek

During POST, BIOS will determine if the floppy disk drive installed is 40 or 80 tracks. 360 KB type is 40 tracks while 720 KB, 1.2 MB, 1.44 MB and 2.88 MB are all 80 tracks. The default value is Enabled.

Enabled	BIOS searches for floppy disk drive to determine if it is 40 or 80 tracks, Note that BIOS can not tell from 720 KB, 1.2 MB, 1.44 MB and 2.88 MB drive type as they are all 80 tracks.
Disabled	BIOS will not search for the type of floppy disk drive by track number. Note that there will not be any warning message if the drive installed is 360 KB.

- Boot Up NumLock Status

The default value is On.

On	Keypad is number keys
Off	Keypad is arrow keys

- Security Option

This category allows you to limit access to the system and Setup, or just to Setup. The default value is Setup.

System	The system will not boot and access to Setup will be denied if the correct password is not entered at the prompt
Setup	The system will boot, but access to Setup will be denied if the correct password is not entered at the prompt

- **To disable security, select PASSWORD SETTING at Main Menu and then you will be asked to enter password. If the user does not type anything and just press <Enter>, it will disable security. Once the security is disabled, the system will boot and you can enter Setup freely.**

- Assign IRQ For VGA

The default value is Disabled.

Enabled	Assign IRQ For VGA is enabled.
Disabled	Assign IRQ For VGA is disabled.

- Video BIOS Shadow

It determines whether video BIOS will be copied to RAM, however, it is optional from chipset design. Video Shadow will increase the video speed. The default value is Enable.

Enabled	Video shadow is enabled.
Disabled	Video shadow is disabled.

- C8000 - CFFFF Shadow / D0000 - DFFFF Shadow

These categories determine whether optional ROM will be copied to RAM by 16 K byte. The default value are Disabled.

Enabled	Optional shadow is enabled.
Disabled	Optional shadow is disabled.

## 4.7. CHIPSET FEATURES SETUP

ROM PCI / ISA BIOS  
INTEGRATED PERIPHERALS  
AWARD SOFTWARE, INC.

ISA Bus Clock : PCI CLK/4 System BIOS Cacheable : Enabled Video BIOS Cacheable : Enabled * VGA Shared Memory Size : 1MB * VGA Memory Clock (MHz) : 55 ** Linear Mode SRAM Support : Disabled	ESC : Quit    ↑ ↓ → ← : Select Item F1 : Help      PU/PD/+/- : Modify F5 : Old Values (Shift)F2 : Color F6 : Load BIOS Defaults F7 : Load Setup Defaults
---	--

Figure 4.4: Chipset Features Setup

⚙ **These Two options do not show up when Users use VGA cards.**

⚙⚙ **This option shows up when Users use Cyrix cpus.**

- ISA Bus Clock

The default value is PCICLK/4.

PCICLK/3	For 50 MHz system.
PCICLK/4	For 66,60 MHz system.
7.159MHz	Set ISA Bus Clock to 7.159MHz

- System BIOS Cacheable

The default value is Enabled.

Enabled	Enable system BIOS cacheable.
Disabled	Disable system BIOS cacheable.

- Video BIOS Cacheable

The default value is Enabled.



BIOS Configuration

---

Enabled	Enable video BIOS cacheable.
Disabled	Disable video BIOS cacheable.

- VGA Shared Memory Size:

The default value is 1MB.

0.5MB	Set VGA Shared Memory Size to 0.5MB
1 MB	Set VGA Shared Memory Size to 1 MB
1.5MB	Set VGA Shared Memory Size to 1.5MB
2 MB	Set VGA Shared Memory Size to 2 MB

- VGA Memory Clock (MHz):

The default value is 55.

40-70	Set VGA Memory clock from 40 to 70MHz. 55MHz is recommended.
-------	---

- Linear Mode SRAM Support:

The default value is Disabled.

Enabled	Enable Linear Mode SRAM Support function.
Disabled	Disable Linear Mode SRAM Support function.

## 4.8. POWER MANAGEMENT SETUP

ROM PCI / ISA BIOS  
POWER MANAGEMENT SETUP  
AWARD SOFTWARE, INC.

Power Management	: Enabled	VGA Activity	: Disabled
PM Control by APM	: Yes	IRQ3 (COM 2)	: Enabled
Video Off Method	: DPMS Supported	IRQ4 (COM 1)	: Enabled
Suspend Switch	: Enabled	IRQ5 (LPT 2)	: Disabled
** PM Timers **		IRQ6 (Floppy Disk)	: Enabled
HDD Off After	: Disabled	IRQ7 (LPT 1)	: Disabled
Standby Mode	: Disabled	IRQ9 (IRQ2 Redir)	: Disabled
Suspend Mode	: Disabled	IRQ10 (Reserved)	: Disabled
** PM Events **		IRQ11 (Reserved)	: Disabled
COM Ports Activity	: Enabled	IRQ12 (PS/2 Mouse)	: Enabled
LPT Ports Activity	: Enabled	IRQ14 (Hard Disk)	: Enabled
HDD Ports Activity	: Enabled	IRQ15 (Reserved)	: Enabled
PCI/ISA Master Act.	: Enabled		
IRQ 1-15 Activity	: Enabled		
		ESC : Quit    ↑ ↓ → ← : Select Item	
		F1 : Help      PU/PD/+/- : Modify	
		F5 : Old Values (Shift)F2 : Color	
		F6 : Load BIOS Defaults	
		F7 : Load Setup Defaults	

Figure 4.5: Power Management Setup

- Power Management

The default value is Enabled.

Enabled	Enable Green function.
Disabled	Disable Green function.

Please disable Green Function for Non-S CPU in OS/2, Unix, Window NT & Novell system.

- PM Control by APM

The default value is Yes.

Yes	Enable software APM function.
No	Disable software APM function.

- Video off Method

The default value is DPMS Supported

V/H SYNC+Blank	BIOS will turn off V/H-SYNC when gets into Green mode for Green monitor power saving.
Blank Screen	BIOS will only black monitor when gets into Green mode.
DPMS Supported	BIOS will use DPMS Standard to control VGA card. (The Green type VGA card will turn off V/H-SYNC automatically.)

- Suspend Switch:

The default value is Enable.

Disable	Disable Suspend Switch.
Enable	Enable Suspend Switch.

- HDD Off After:

The default value is Disable.

Disable	Disable HDD off After.
1Min-15Mins	Enable HDD off After mode from 1 to 15 mins.

- Standby Mode

The default value is Disable.

Disable	Disable Standby Mode.
20Sec-40Mins	Setup the timer to enter Standby Mode

- Suspend mode

The default value is Disable.

Disable	Disable Suspend Mode.
20Sec-40Mins	Setup the timer to enter Suspend Mode.

- COM. LPT. HDD ports Activity:

The default value is Enable.

Enable	Enable COM. LPT. HDD ports Activity.
Disable	Disable COM. LPT. HDD ports Activity.

- PCI/ISA Master Activity:

---

The default value is Enable.

Enable	Enable PCI/ISA Master Activity.
Disable	Disable PCI/ISA Master Activity.

- IRQ1-15 Activity:

The default value is Enable.

Enable	Enable IRQ1-15 Activity.
Disable	Disable IRQ1-15 Activity.

- VGA Activity:

The default value is Disable.

Enable	Enable VGA Activity.
Disable	Disable VGA Activity.

- IRQX (3,4,5,6,7,9,10,11,12,14,15)

The default value is Enable.

Enable	The system will return to normal mode from Green Mode when the IRQX is active.
Disable	The system will not return to normal mode from Green Mode when the IRQX is active.

### 4.9. PNP/PCI CONFIGURATION

ROM PCI / ISA BIOS  
 PNP/PCI CONFIGURATION  
 AWARD SOFTWARE, INC.

Resources Controlled By	: Manual	PCI IRQ Activated By	: Level
Reset Configuration Data	: Disabled		
IRQ-3 assigned to	: Legacy ISA		
IRQ-4 assigned to	: Legacy ISA		
IRQ-5 assigned to	: PCI/ISA PnP		
IRQ-7 assigned to	: Legacy ISA		
IRQ-9 assigned to	: PCI/ISA PnP		
IRQ-10 assigned to	: PCI/ISA PnP		
IRQ-11 assigned to	: PCI/ISA PnP		
IRQ-12 assigned to	: Legacy ISA		
IRQ-14 assigned to	: Legacy ISA		
IRQ-15 assigned to	: Legacy ISA		
DMA-0 assigned to	: PCI/ISA PnP		
DMA-1 assigned to	: PCI/ISA PnP	ESC : Quit	↑ ↓ → ← : Select Item
DMA-3 assigned to	: PCI/ISA PnP	F1 : Help	PU/PD/+/- : Modify
DMA-5 assigned to	: PCI/ISA PnP	F5 : Old Values	(Shift)F2 : Color
DMA-6 assigned to	: PCI/ISA PnP	F6 : Load BIOS Defaults	
DMA-7 assigned to	: PCI/ISA PnP	F7 : Load Setup Defaults	

Figure 4.6: PNP/PCI Configuration

- Resources Controlled By

The default value is Manual.

Manual	Disable resources controlled.
Auto	Enable resources controlled.

- Reset Configuration Data

The default value is Disabled.

Disabled	Disable reset configuration data.
Enabled	Enable reset configuration data.

- Assigned to IRQ(3,4,5,7,9,10,11,12,14,15) / DMA (0,1,3,5,6,7)

Legacy ISA	Assigned IRQX/DMAX to ISA Bus.
PCI/ISA PnP	Assigned IRQX/DMAX to PCI/ISA Bus with PnP function.

- PCI IRQ Activated By

Level	For some PCI SCSI or Lan device using same PCI INT.
Edge	Normal operating.

#### 4.10. LOAD BIOS DEFAULTS

ROM PCI / ISA BIOS  
CMOS SETUP UTILITY  
AWARD SOFTWARE, INC.

STANDARD CMOS SETUP	INTEGRATED PERIPHERALS
BIOS FEATURES SETUP	SUPERVISOR PASSWORD
CHIPSET FEATURES SETUP	USER PASSWORD
POWER MANAGEMENT SETUP	IDE HDD AUTO DETECTION
PNP/PCI CONFIGURATION	FORMAT
LOAD BIOS DEFAULTS	LOAD SETUP
LOAD SETUP DEFAULTS	EXIT WITHOUT SAVING
ESC : Quit F10 : Save & Exit Setup	
↑ ↓ → ← : Select Item (Shift)F2 : Chang Color	
Load BIOS Defaults except Standard CMOS SETUP	

Figure 4.7: Load BIOS Defaults

- Load BIOS Defaults

To load SETUP defaults value to CMOS SRAM, enter "Y". If not, enter "N".

**4.11. LOAD SETUP DEFAULTS**

ROM PCI / ISA BIOS  
CMOS SETUP UTILITY  
AWARD SOFTWARE, INC.

STANDARD CMOS SETUP  BIOS FEATURES SETUP  CHIPSET FEATURES SETUP  POWER MANAGEMENT SETUP  PNP/PCI CONFIGURATION  LOAD BIOS DEFAULTS  LOAD SETUP DEFAULTS	INTEGRATED PERIPHERALS  SUPERVISOR PASSWORD  USER PASSWORD  IDE HDD AUTO DETECTION  FORMAT  SETUP  EXIT WITHOUT SAVING
Load SETUP Defaults (Y/N)? N	
ESC : Quit F10 : Save & Exit Setup	
↑ ↓ → ← : Select Item (Shift)F2 : Chang Color	
Load Setup Defaults except Standard CMOS SETUP	

Figure 4.8: Load Setup Defaults

- Load SETUP Defaults

To load SETUP defaults value to CMOS SRAM, enter "Y". If not, enter "N".

- **If there is any problem occurred, loading SETUP DEFAULTS step is recommended.**

## 4.12. INTEGRATED PERIPHERALS

ROM PCI / ISA BIOS  
PNP/PCI CONFIGURATION  
AWARD SOFTWARE, INC.

Internal PCI/IDE	: Both	ESC : Quit    ↑ ↓ → ← : Select Item F1 : Help      PU/PD/+/- : Modify F5 : Old Values (Shift)F2 : Color F6 : Load BIOS Defaults F7 : Load Setup Defaults
IDE Primary Master PIO	: Auto	
IDE Primary Slave PIO	: Auto	
IDE Secondary Master PIO	: Auto	
IDE Secondary Slave PIO	: Auto	
IDE HDD Block Mode	: Enabled	
Onboard FDD Controller	: Enabled	
Onboard Serial Port 1	: 3F8/IRQ4	
Onboard Serial Port 2	: 2F8/IRQ3	
Onboard Parallel Port	: 378H/IRQ7	
Onboard Parallel Mode	: SPP	
* ECP Mode Use DMA	: 3	
** Parallel Port EPP Type	: EPP 1.7	

Figure 4.9: Integrated Peripherals

\* This item will show up only if On board Parallel Mode set to ECP or ECP/EPP.

\*\* This item will show up only if On board Parallel Mode set to EPP/SPP or ECP/EPP.

- Internal PCI/IDE

The default value is Both

Disabled	Disabled Internal PCI/IDE.
Primary	Primary Internal PCI/IDE.
Secondary	Secondary Internal PCI/IDE.
Both	Both Internal PCI/IDE.

- IDE Primary Master PIO (for onboard IDE 1st channel).

The default value is Auto.

Auto	BIOS will automatically detect the IDE HDD Accessing mode.
Mode0~4	Manually set the IDE Accessing mode.

- IDE Primary Slave PIO (for onboard IDE 1st channel).



The default value is Auto.

Auto	BIOS will automatically detect the IDE HDD Accessing mode.
Mode0~4	Manually set the IDE Accessing mode.

- IDE Secondary Master PIO (for onboard IDE 2nd channel).

The default value is Auto.

Auto	BIOS will automatically detect the IDE HDD Accessing mode.
Mode0~4	Manually set the IDE Accessing mode.

- IDE Secondary Slave PIO (for onboard IDE 2nd channel).

The default value is Auto.

Auto	BIOS will automatically detect the IDE HDD Accessing mode.
Mode0~4	Manually set the IDE Accessing mode.

- IDE HDD Block Mode

The default value is Enabled.

Enabled	Enable IDE HDD Block Mode
Disabled	Disable IDE HDD Block Mode

- Onboard FDD Controller

The default value is Enabled.

Enabled	Enable onboard FDD port.
Disabled	Disable onboard FDD port.

- Onboard Serial Port 1

The default value is 3F8/IRQ4.

3F8/IRQ4	Enable onboard Serial port 1 and address is 3F8H.
2F8/IRQ3	Enable onboard Serial port 1 and address is 2F8H.
3E8/IRQ4	Enable onboard Serial port 1 and address is 3E8H.
2E8/IRQ3	Enable onboard Serial port 1 and address is 2E8H.
Disabled	Disable onboard Serial port 1.

- Onboard Serial Port 2

The default value is 2F8/IRQ3.

3F8/IRQ4	Enable onboard Serial port 2 and address is 3F8H.
2F8/IRQ3	Enable onboard Serial port 2 and address is 2F8H.
3E8/IRQ4	Enable onboard Serial port 2 and address is 3E8H.
2E8/IRQ3	Enable onboard Serial port 2 and address is 2E8H.
Disabled	Disable onboard Serial port 2.

- Onboard Parallel port

The default value is 378H/IRQ7.

3BCH/IRQ7	Enable onboard LPT port and address is 3BCH/IRQ7.
378H/IRQ7	Enable onboard LPT port and address is 378H/IRQ7.
278H/IRQ5	Enable onboard LPT port and address is 278H/IRQ5.
Disabled	Disable onboard LPT port.

- Parallel port Mode

The default value is SPP.

SPP	Using Parallel port as Normal Printer Port.
EPP/SPP	Using Parallel port as Enhanced Parallel Port/ Normal Printer Port. *
ECP	Using Parallel port as Extended Capabilities Port. *
ECP/EPP	Using Parallel port as Extended Capabilities Port mode/Enhanced Parallel Port. *

\* As EPP/SPP Mode is selected, two options can be defined:

1. Parallel Port EPP type: EPP1.7
2. Parallel Port EPP type: EPP1.9

\* As ECP,ECP/EPP Mode is selected, two options can be defined:

1. ECP Mode use DMA: 3
2. ECP Mode use DMA: 1

#### 4.13. SUPERVISOR / USER PASSWORD

When you select this function, the following message will appear at the center of the screen to assist you in creating a password.

**ENTER PASSWORD**

ROM PCI / ISA BIOS  
 CMOS SETUP UTILITY  
 AWARD SOFTWARE, INC.

STANDARD CMOS SETUP	INTEGRATED PERIPHERALS
BIOS FEATURES SETUP	SUPERVISOR PASSWORD
CHIPSET FEATURES SETUP	USER PASSWORD
POWER MANAGEMENT SETUP	IDE HDD AUTO DETECTION
PNP/PCI CONFIGURATION	HDD LOW LEVEL FORMAT
LOAD BIOS DEFAULTS	Enter Password: <input type="text"/> SETUP
LOAD SETUP DEFAULTS	EXIT WITHOUT SAVING
ESC : Quit F10 : Save & Exit Setup	
↑ ↓ → ← : Select Item (Shift)F2 : Chang Color	
Change / Set / Disable Password	

Figure 4.10: Supervisor / User Password

Type the password, up to eight characters, and press <Enter>. The password typed now will clear the previously entered password from CMOS memory. You will be asked to confirm the password. Type the password again and press <Enter>. You may also press <Esc> to abort the selection and not enter a password.

To disable password, just press <Enter> when you are prompted to enter password. A message will confirm the password being disabled. Once the password is disabled, the system will boot and you can enter Setup freely.

**PASSWORD DISABLED**

If you select System at Security Option of BIOS Features Setup Menu, you will be prompted for the password every time the system is rebooted or any time you try to enter Setup. If you select Setup at Security Option of BIOS Features Setup Menu, you will be prompted only when you try to enter Setup.

**4.14. IDE HDD AUTO DETECTION**

ROM PCI / ISA BIOS  
 CMOS SETUP UTILITY  
 AWARD SOFTWARE, INC.

STANDARD CMOS SETUP	INTEGRATED PERIPHERALS
BIOS FEATURES SETUP	SUPERVISOR PASSWORD
CHIPSET FEATURES SETUP	USER PASSWORD
POWER MANAGEMENT SETUP	IDE HDD AUTO DETECTION
PNP/PCI CONFIGURATION	HDD LOW LEVEL FORMAT
LOAD BIOS DEFAULTS	SAVE & EXIT SETUP
LOAD SETUP DEFAULTS	EXIT WITHOUT SAVING
ESC : Quit F10 : Save & Exit Setup	
↑ ↓ → ← : Select Item (Shift)F2 : Chang Color	
Auto-Configure HDD: Sector, Cylinder, Head...	

Figure 4.11: IDE HDD Auto Detection

Type "Y" will accept the H.D.D. parameter reported by BIOS.

Type "N" will keep the old H.D.D. parameter setup. If the hard disk cylinder NO. is over 1024, then the user can select LBA mode or LARGER mode for DOS partition LARGER than 528 MB.



#### 4.16. SAVE & EXIT SETUP

ROM PCI / ISA BIOS  
CMOS SETUP UTILITY  
AWARD SOFTWARE, INC.

STANDARD CMOS SETUP	INTEGRATED PERIPHERALS
BIOS FEATURES SETUP	SUPERVISOR PASSWORD
CHIPSET FEATURES SETUP	USER PASSWORD
POWER MANAGEMENT SETUP	IDE HDD AUTO DETECTION
PNP/PCI CONFIGURATION	FORMAT
LOAD BIOS DEFAULTS	LOAD SETUP
LOAD SETUP DEFAULTS	EXIT WITHOUT SAVING

SAVE to CMOS and EXIT (Y/N)? N

ESC : Quit	↑ ↓ → ← : Select Item
F10 : Save & Exit Setup	(Shift)F2 : Chang Color

Save Data to CMOS & EXIT SETUP

Figure 4.13: Save & Exit Setup

Type "Y" will quit the Setup Utility and save the user setup value to RTC CMOS SRAM.

Type "N" will return to Setup Utility.

**4.17. EXIT WITHOUT SAVING**

ROM PCI / ISA BIOS  
 CMOS SETUP UTILITY  
 AWARD SOFTWARE, INC.

STANDARD CMOS SETUP	INTEGRATED PERIPHERALS
BIOS FEATURES SETUP	SUPERVISOR PASSWORD
CHIPSET FEATURES SETUP	USER PASSWORD
POWER MANAGEMENT SETUP	IDE HDD AUTO DETECTION
PNP/PCI CONFIGURATION	FORMAT
LOAD BIOS DEFAULTS	LOAD SETUP
LOAD SETUP DEFAULTS	EXIT WITHOUT SAVING

Quit Without Saving (Y/N)? N

ESC : Quit	↑ ↓ → ← : Select Item (Shift)F2 : Chang Color	
Abandon all Datas & EXIT SETUP		

Figure 4.15: Exit Without Saving

Type "Y" will quit the Setup Utility without saving to RTC CMOS SRAM.

Type "N" will return to Setup Utility.







**5.1.2. PCI - BUS SLOT PIN OUT**

-12V	B01	A01	NC
NC	B02	A02	+12V
GND	B03	A03	NC
NC	B04	A04	NC
VCC	B05	A05	VCC
VCC	B06	A06	JNTA#
INTB#	B07	A07	INTC#
INTD#	B08	A08	VCC
PST#1	B09	A09	NC
NC	B10	A10	VCC
PST#2	B11	A11	NC
GND	B12	A12	GND
GND	B13	A13	GND
NC	B14	A14	NC
GND	B15	A15	RST#
CLK	B16	A16	VCC
GND	B17	A17	GNT#
REQ#	B18	A18	GND
VCC	B19	A19	NC
AD_31	B20	A20	AD_30
AD_29	B21	A21	NC
GND	B22	A22	AD_28
AD_27	B23	A23	AD_26
AD_25	B24	A24	GND
NC	B25	A25	AD_24
CBE#3	B26	A26	IDSEL
AD_23	B27	A27	NC
GND	B28	A28	AD_22
AD_21	B29	A29	AD_20
AD_19	B30	A30	GND
NC	B31	A31	AD_18
AD_17	B32	A32	AD_16
CEB#2	B33	A33	NC
GND	B34	A34	FRAME#
IRDY#	B35	A35	GND
NC	B36	A36	TRDY#
DEVSEL#	B37	A37	GND
GND	B38	A38	STOP#
LOCK#	B39	A39	NC
PERR#	B40	A40	SDONE
NC	B41	A41	SBO#
SERR#	B42	A42	GND
NC	B43	A43	PAR
CBE#1	B44	A44	AD_15
AD_14	B45	A45	NC
GND	B46	A46	AD_13
AD_12	B47	A47	AD_11
AD_10	B48	A48	GND
GND	B49	A49	AD_09
AD_08	B52	A52	CBE#0
AD_07	B53	A53	NC
NC	B54	A54	AD_06
AD_05	B55	A55	AD_04
AD_03	B56	A56	GND
GND	B57	A57	AD_02
AD_01	B58	A58	AD_00
VCC	B59	A59	VCC
NC	B60	A60	NC
VCC	B61	A61	VCC
VCC	B62	A62	VCC

## 5.2. I/O & MEMORY MAP

MEMORY MAP:	[0000000-009FFFFF]	System memory used by DOS and application program.
	[00A0000-00BFFFFF]	Display buffer memory for VGA/ EGA/CGA/MONOCHROME adapter.
	[00C0000-00DFFFFF]	Reserved for I/O device BIOS ROM or RAM buffer.
	[00E0000-00EFFFFF]	Reserved for PCI device ROM.
	[00F0000-00FFFFFF]	System BIOS ROM.
	[0100000-BFFFFFFF]	System extension memory.
I/O MAP:	[000-01F]	DMA controller.(Master)
	[020-021]	INTERRUPT controller.(Master)
	[022-023]	CHIPSET control registers I/O ports.
	[040-05F]	TIMER control registers.
	[060-06F]	KEYBOARD interface controller.(8042)
	[070-07F]	RTC ports & CMOS I/O ports.
	[080-09F]	DMA register.
	[0A0-0BF]	INTERRUPT controller.(Slave)
	[0C0-0DF]	DMA controller.(Slave)
	[0F0-0FF]	MATH COPROCESSOR
	[1F0-1F8]	HARD DISK controller.
	[278-27F]	PARALLEL port-2.
	[2B0-2DF]	GRAPHICS adapter controller.
	[2F8-2FF]	SERIAL port-2.
	[360-36F]	NETWORK ports.
	[378-37F]	PARALLEL port-1
	[3B0-3BF]	MONOCHROME & PRINTER adapter.
	[3C0-3CF]	EGA adapter.
	[3D0-3DF]	CGA adapter.
	[3F0-3F7]	FLOPPY DISK controller.
	[3F8-3FF]	SERIAL port-1.

## 5.3. TIMER & DMA CHANNELS MAP

TIMER MAP:           TIMER Channel-0 System timer interrupt  
 TIMER Channel-1 DRAM REFRESH request  
 TIMER Channel-2 SPEAKER tone generator

DMA CHANNELS:      DMA Channel-0 Available  
 DMA Channel-1 IBM SDLC  
 DMA Channel-2 FLOPPY DISK adapter  
 DMA Channel-3 Available  
 DMA Channel-4 Cascade for DMA controller 1  
 DMA Channel-5 Available  
 DMA Channel-6 Available  
 DMA Channel-7 Available

## 5.4. INTERRUPT MAP

NMI: Parity check error

IRQ (H/W): 0 System TIMER interrupt from TIMER-0

1 KEYBOARD output buffer full

2 Cascade for IRQ 8-15

3 SERIAL port 2

4 SERIAL port 1

5 PARALLEL port 2

6 FLOPPY DISK adapter

7 PARALLEL port 1

8 RTC clock

9 Available

10 Available

11 Available

12 PS/2 Mouse

13 MATH coprocessor

14 HARD DISK adapter

15 Available

---

## 5.5. RTC & CMOS RAM MAP

RTC & CMOS:	00	Seconds
	01	Second alarm
	02	Minutes
	03	Minutes alarm
	04	Hours
	05	Hours alarm
	06	Day of week
	07	Day of month
	08	Month
	09	Year
	0A	Status register A
	0B	Status register B
	0C	Status register C
	0D	Status register D
	0E	Diagnostic status byte
	0F	Shutdown byte
	10	FLOPPY DISK drive type byte
	11	Reserve
	12	HARD DISK type byte
	13	Reserve
	14	Equipment byte
	15	Base memory low byte
	16	Base memory high byte
	17	Extension memory low byte
	18	Extension memory high byte
	19-2d	
	2E-2F	
	30	Reserved for extension memory low byte
	31	Reserved for extension memory high byte
	32	DATE CENTURY byte
	33	INFORMATION FLAG
	34-3F	Reserve
	40-7f	Reserved for CHIPSET SETTING DATA









## APPENDIX A: POST MESSAGE

When the BIOS encounters an error that requires the user to correct something, either a beep code will sound or a message will be displayed in a box in the middle of the screen and the message PRESS F1 TO CONTINUE, CTRL-ALT-ESC OR DEL TO ENTER SETUP will be shown in the information box at the bottom.

- POST BEEP

Currently there is only one beep code in BIOS. This code indicates that a video error has occurred and the BIOS cannot initialize the video screen to display any additional information. This beep code consists of a single long beep followed by two short beeps.

- ERROR MESSAGE

Once or more of the following messages may be displayed if the BIOS detects an error during the POST. This list includes message for both the ISA and the EISA BIOS.

- ☒ CMOS BATTERY HAS FAILED

CMOS battery is no longer functional. It should be replaced.

- ☒ CMOS CHECKSUM ERROR

Checksum of CMOS is incorrect. This can indicate that CMOS has become corrupt. This error may have been caused by a weak battery. Check the battery and replace if necessary.

- ☒ DISK BOOT FAILURE, INSERT SYSTEM DISK AND PRESS ENTER

No boot device was found. Insert a system disk into Drive A: and press <Enter>. If you assumed the system would boot from the hard drive, make sure the controller is inserted correctly and all cables are properly attached. Also be sure the disk is formatted as a boot device. Then reboot the system.

- ☒ DISKETTE DRIVES OR TYPES MISMATCH ERROR - RUN SETUP

Type of diskette drive installed in the system is different from the CMOS definition. Run Setup to re-configure the drive type correctly.

- ☒ DISPLAY SWITCH IS SET INCORRECTLY

Display switch on the motherboard can be set to either monochrome or color. This indicates the switch is set to a different setting than indicated in Setup. Determine which setting is correct, and then either turn off the system and change the jumper, or enter Setup and change the VIDEO selection.

⊗ DISPLAY TYPE HAS CHANGED SINCE LAST BOOT

Since last powering off the system, the display adapter has been changed. You must configure the system for the new display type.

⊗ EISA Configuration Checksum Error

PLEASE RUN EISA CONFIGURATION UTILITY

The EISA non-volatile RAM checksum is incorrect or cannot correctly read the EISA slot. This can indicate either the EISA non-volatile memory has become corrupted or the slot has been configured incorrectly. Also be sure the card is installed firmly in the slot.

⊗ EISA Configuration Is Not Complete

PLEASE RUN EISA CONFIGURATION UTILITY

The slot configuration information stored in the EISA non-volatile memory is incomplete.

☞ When either of these errors appear, the system will boot in ISA mode, which allows you to run the EISA Configuration Utility.

⊗ ERROR ENCOUNTERED INITIALIZING HARD DRIVE

Hard drive cannot be initialized. Be sure the adapter is installed correctly and all cables are correctly and firmly attached. Also be sure the correct hard drive type is selected in Setup.

⊗ ERROR INITIALIZING HARD DISK CONTROLLER

Cannot initialize controller. Make sure the cord is correctly and firmly installed in the bus. Be sure the correct hard drive type is selected in Setup. Also check to see if any jumper needs to be set correctly in the hard drive.

⊗ FLOPPY DISK CNTRLR ERROR OR NO CNTRLR PRESENT

Cannot find or initialize the floppy drive controller. Make sure the controller is installed correctly and firmly. If there are no floppy drives installed, be sure the Diskette Drive selection in Setup is set to NONE.

**⊗ Invalid EISA Configuration****PLEASE RUN EISA CONFIGURATION UTILITY**

The non-volatile memory containing EISA configuration information was programmed incorrectly or has become corrupted. Re-run EISA configuration utility to correctly program the memory.

☞ When this error appears, the system will boot in ISA mode, which allows you to run the EISA Configuration Utility.

**⊗ KEYBOARD ERROR OR NO KEYBOARD PRESENT**

Cannot initialize the keyboard. Make sure the keyboard is attached correctly and no keys are being pressed during the boot.

If you are purposely configuring the system without a keyboard, set the error halt condition in Setup to HALT ON ALL, BUT KEYBOARD. This will cause the BIOS to ignore the missing keyboard and continue the boot.

**⊗ Memory Address Error at ...**

Indicates a memory address error at a specific location. You can use this location along with the memory map for your system to find and replace the bad memory chips.

**⊗ Memory parity Error at ...**

Indicates a memory parity error at a specific location. You can use this location along with the memory map for your system to find and replace the bad memory chips.

**⊗ MEMORY SIZE HAS CHANGED SINCE LAST BOOT**

Memory has been added or removed since the last boot. In EISA mode, use Configuration Utility to re-configure the memory configuration. In ISA mode, enter Setup and enter the new memory size in the memory fields.

**⊗ Memory Verify Error at ...**

Indicates an error verifying a value already written to memory. Use the location along with your system's memory map to locate the bad chip.

**⊗ OFFENDING ADDRESS NOT FOUND**

This message is used in conjunction with the I/O CHANNEL CHECK and RAM PARITY ERROR messages when the segment that has caused the problem cannot be isolated.

**⊗ OFFENDING SEGMENT:**

This message is used in conjunction with the I/O CHANNEL CHECK and RAM PARITY ERROR messages when the segment that has caused the problem has been isolated.

☒ PRESS A KEY TO REBOOT

This will be displayed at the bottom screen when an error occurs that requires you to reboot. Press any key and the system will reboot.

☒ PRESS F1 TO DISABLE NMI, F2 TO REBOOT

When BIOS detects a Non-maskable Interrupt condition during boot, this will allow you to disable the NMI and continue to boot. Or you can reboot the system, which will enable the NMI.

☒ RAM PARITY ERROR - CHECKING FOR SEGMENT ...

Indicates a parity error in Random Access Memory.

☒ Should Be Empty But EISA Board Found

PLEASE RUN EISA CONFIGURATION UTILITY

A valid board ID was found in a slot that was configured as having no board ID.

☞ When this error appears, the system will boot in ISA mode, which allows you to run the EISA Configuration Utility.

☒ Should Have EISA Board But Not Found

PLEASE RUN EISA CONFIGURATION UTILITY

The board installed is not responding to the ID request, or no board ID has been found in the indicated slot.

☞ When this error appears, the system will boot in ISA mode, which allows you to run the EISA Configuration Utility.

☒ Slot Not Empty

Indicates that a slot designated as empty by the EISA Configuration Utility actually contains a board.

☞ When this error appears, the system will boot in ISA mode, which allows you to run the EISA Configuration Utility.

☒ SYSTEM HALTED, (CTRL-ALT-DEL) TO REBOOT ...

Indicates the present boot attempt has been aborted and the system must be rebooted. Press and hold down the CTRL and ALT keys and press DEL.

☒ Wrong Board In Slot

PLEASE RUN EISA CONFIGURATION UTILITY

The board ID does not match the ID stored in the EISA non-volatile memory.

☞ When this error appears, the system will boot in ISA mode, which allows you to run the EISA Configuration Utility.



## APPENDIX B: POST CODES

☞ EISA POST codes are typically output to port address 300h. ISA POST codes are typically output to port address 80h.

POST	Name	Description
C0	Turn Off Chipset Cache	OEM Specific-Cache control.
1	Processor Test 1	Processor Status (1 FLAGS) Verification. Test the following processor status flags carry, zero, sign, overflow, The BIOS will set each of these flags, verify they are set, then turn each flag off and verify it is off.
2	Processor Test 2	Read/Write/Verify all CPU registers except SS, SP, and BP with data pattern FF and 00.
3	Initialize Chips	Disable NMI, PIE, AIE, UEI, SQWV. Disable video, parity checking, DMA. Reset math coprocessor. Clear all page registers, CMOS shutdown byte. Initialize timer 0, 1, and 2, including set EISA timer to a known state. Initialize DMA controllers 0 and 1. Initialize interrupt controllers 0 and 1. Initialize EISA extended registers.
4	Test Memory Refresh Toggle	RAM must be periodically refreshed in order to keep the memory from decaying. This function assures that the memory refresh function is working properly.
5	Blank video, Initialize keyboard	Keyboard controller initialization.
6	Reserved	
7	Test CMOS Interface and Battery Status	Verifies CMOS is working correctly, detects bad battery.
BE	Chipset Default Initialization	Program chipset registers with power on BIOS defaults.
C1	Memory presence test	OEM Specific-Test to size on-board memory.
C5	Early Shadow	OEM Specific-Early Shadow enable for fast boot.
C6	Cache presence test	External cache size detection.
8	Setup low memory	Early chip set initialization.

		Memory presence test. OEM chip set routines. Clear low 64 K of memory. Test first 64 K memory.
9	Early Cache Initialization	Cyrix CPU initialization. Cache initialization.
A	Setup Interrupt Vector Table	Initialize first 120 interrupt vectors with SPURIOUS_INT-HDLR and initialize INT 00h-1Fh according to INT_TBL.
B	Test CMOS RAM Checksum	Test CMOS RAM Checksum, if bad, or insert key pressed, load defaults.
C	Initialize keyboard	Detect type of keyboard controller (optional). Set NUM_LOCK status.
D	Initialize Video Interface	Detect CPU clock. Read CMOS location 14h to find out type of video in use. Detect and Initialize Video Adapter.
E	Test Video Memory	Test video memory, write sign-on message to screen. Setup shadow RAM - Enable shadow according to Setup.
F	Test DMA Controller 0	BIOS checksum test. Keyboard detect and initialization.
10	Test DMA Controller 1	
11	Test DMA Page registers	Test DMA Page Registers.
12-13	Reserved	
14	Test Timer Counter 2	Test 8254 Timer 0 Counter 2.
15	Test 8259-1 Mask Bits	Verify 8259 Channel 1 masked interrupts by alternately turning off and on the interrupt lines.
16	Test 8259-2 Mask Bits	Verify 8259 Channel 2 masked interrupts by alternately turning off and on the interrupt lines.
17	Test Stuck 8259's Interrupt Bits	Turn off interrupts then verify no interrupt mask register is on.
18	Test 8259 Interrupt Functionality	Force an interrupt and verify the interrupt occurred.
19	Test Stuck NMI Bits (Parity/IO Check)	Verify NMI can be cleared.



Appendix B: Post Codes

1A		Display CPU clock.
1B-1E	Reserved	
1F	Set EISA Mode	If EISA non-volatile memory checksum is good, execute EISA initialization. If not, execute ISA tests an clear EISA mode flag. Test EISA Configuration Memory Integrity (checksum & communication interface).
20	Enable Slot 0	Initialize slot 0 (System Board).
21-2F	Enable Slots 1-15	Initialize slot 1 through 15.
30	Size Base and Extended Memory	Size base memory from 256 K to 640 K extended memory above 1 MB.
31	Test Base and Extended Memory	Test base memory from 256 K to 640 K and extended memory above 1 MB using various patterns. ☞ This will be skipped in EISA mode and can be "skipped" with ESC key in ISA mode.
32	Test EISA Extended Memory	If EISA Mode flag is set then test EISA memory found in slots initialization. ☞ This will be skipped in ISA mode and can be "skipped" with ESC key in EISA mode.
33-3B	Reserved	
3C	Setup Enabled	
3D	Initialize & Install Mouse	Detect if mouse is present, initialize mouse, install interrupt vectors.
3E	Setup Cache Controller	Initialize cache controller.
3F	Reserved	
BF	Chipset Initialization	Program chipset registers with Setup values.
40		Display virus protest disable or enable.
41	Initialize Floppy Drive & Controller	Initialize floppy disk drive controller and any drives.
42	Initialize Hard Drive & Controller	Initialize hard drive controller and any drives.
43	Detect & Initialize Serial/Parallel Ports	Initialize any serial and parallel ports (also game port).
44	Reserved	
45	Detect & Initialize Math Coprocessor	Initialize math coprocessor.
46	Reserved	

47	Reserved	
48-4D	Reserved	
4E	Manufacturing POST Loop or Display Messages	Reboot if Manufacturing POST Loop pin is set. Otherwise display any messages (i.e., any non-fatal errors that were detected during POST) and enter Setup.
4F	Security Check	Ask password security (optional).
50	Write CMOS	Write all CMOS values back to RAM and clear screen.
51	Pre-boot Enable	Enable parity checker. Enable NMI, Enable cache before boot.
52	Initialize Option ROMs	Initialize any option ROMs present from C8000h to EFFFFh. ☞ When FSCAN option is enabled, will initialize from C8000h to F7FFFh.
53	Initialize Time Value	Initialize time value in 40h: BIOS area.
60	Setup Virus Protect	Setup virus protect according to Setup
61	Set Boot Speed	Set system speed for boot
62	Setup NumLock	Setup NumLock status according to Setup
63	Boot Attempt	Set low stack. Boot via INT 19h.
B0	Spurious	If interrupt occurs in protected mode.
B1	Unclaimed NMI	If unmasked NMI occurs, display Press F1 to disable NMI, F2 reboot.
E1-EF	Setup Pages	E1 - Page 1, E2 - Page 2, etc.
FF	Boot	

**APPENDIX C: BIOS DEFAULT DRIVE TABLE**

Type	Size (MB)	Cylinders	Heads	Sectors	Write / Precomp	Land Zone	Example Model
1	10 MB	306	4	17	128	305	TEAC SD510 MMI 112, 5412
2	20 MB	615	4	17	300	615	Seagate ST225, ST4026
3	31 MB	615	6	17	300	615	
4	62 MB	940	8	17	512	940	
5	47 MB	940	6	17	512	940	
6	20 MB	615	4	17	65535	615	Seagate ST125 Tandon TM262
7	31 MB	462	8	17	256	511	
8	30 MB	733	5	17	65535	733	Tandon TM703
9	112 MB	900	15	17	65535	901	
10	20 MB	820	3	17	65535	820	
11	35 MB	855	5	17	65535	855	
12	50 MB	855	7	17	65535	855	
13	20 MB	306	8	17	128	319	Disctron526, MMI M125
14	43 MB	733	7	17	65535	733	
16	20 MB	612	4	17	0	663	Microscience HH725 Syquest3250, 3425
17	41 MB	977	5	17	300	977	
18	57 MB	977	7	17	65535	977	
19	60 MB	1024	7	17	512	1023	
20	30 MB	733	5	17	300	732	
21	43 MB	733	7	17	300	732	
22	30 MB	733	5	17	300	733	Seagate ST4038
23	10 MB	306	4	17	0	336	
24	54 MB	925	7	17	0	925	Seagate ST4051
25	69 MB	925	9	17	65535	925	Seagate ST4096
26	44 MB	754	7	17	754	754	Maxtor2085

27	69 MB	754	11	17	65535	754	Maxtor2140, Priam S14
28	41 MB	699	7	17	256	699	Maxtor2190, Priam S19
29	68 MB	823	10	17	65535	823	Maxtor1085 Micropolis1325
30	53 MB	918	7	17	918	918	Maxtor1105, 1120, 4780
31	94 MB	1024	11	17	65535	1024	Maxtor1170
32	128 MB	1024	15	17	65535	1024	CDC9415
33	43 MB	1024	5	17	1024	1024	
34	10 MB	612	2	17	128	612	
35	77 MB	1024	9	17	65535	1024	
36	68 MB	1024	8	17	512	1024	
37	41 MB	615	8	17	128	615	
38	25 MB	987	3	17	987	987	
39	57 MB	987	7	17	987	987	Maxtor1140, 4380
40	41 MB	820	6	17	820	820	Seagate ST251
41	41 MB	977	5	17	977	977	Seagate ST4053 Miniscribe3053/ 6053
42	41 MB	981	5	17	981	981	Miniscribe3053/ 6053 RLL
43	48 MB	830	7	17	512	830	Miniscribe 3650
44	69 MB	830	10	17	65535	830	Miniscribe 3650 RLL
45	114 MB	917	15	17	65535	918	Conner CP3104
46	152 MB	1224	15	17	65535	1223	Conner CP3204
User							

---

## APPENDIX D: PROBLEM SHEET

### 1. Customer Data

Name  
Address

Tel. No.  
Fax. No.  
Purchase Date

### 2. Mainboard Data

Model NO. GA-  
Serial No.

Rev. No.

### 3. System Configuration

CPU Type:

CPU Brand:

CPU Speed:

DRAM Type:  1  2  4  8  16  32 MB

DRAM Speed:  80  70  60 ns

DRAM Total Size: MB

DRAM Brand:

SRAM Size:  64KB  128 KB  256 KB  512 KB

SRAM Part No. TAG: DATA:

Video Card:

Video Chip or Brand:

Floppy Drive A Capacity & Brand:

Floppy Drive B Capacity & Brand:

Storage Controller Type

MFM  RLL  IDE  EDSI  SCSI

Hard Drive C Brand & Type:

Hard Drive D Brand & Type:

LAN Controller Type:

LAN Card Brand & Model:

Serial / Parallel Chip Brand & Model:

Mouse Brand & Model:

O.S.  DOS  OS/2  NETWARE  UNIX / XENIX Ver.:

### 4. AUTOEXEC.BAT & CONFIG.SYS File:

### 5. Problem Description:

R-01-02-061003